

HWF10AN1

Front Loader Washing Machine, 10kg

This front loader not only has 4.5 star water and energy ratings, it includes specialised functions such as Sanitise and Refresh cycle, as well as advanced wash modifiers such as UV Protect and Stain Treatment. Smart Dosing ensures the perfect amount of detergent is used automatically, no matter the cycle.



Haier

Height

850 mm

Width

595 mm

Depth

660 mm

Weight

71 kg

FEATURES

- UV Protect wash modifier utilises UV light to help kill bacteria, while using a low wash temperature for long-lasting fabric care.
- Sanitise is a high-temperature solution, killing bacteria for more hygienic washing.
- Smart Dosing determines exactly how much detergent and fabric softener is needed for each wash, based on the cycle selected.
- The short Refresh cycle uses steam technology to refresh folded and stored clothes.
- The Speed up function effectively reduces the time of most wash cycles, and is perfect for lightly-soiled clothes.
- The Stain Treatment wash modifier targets stubborn stains.
- The convenient +Garment lets you add in any forgotten items, even when the wash has already started.
- Dual Spray nozzles clean away foam and dirt residue from the door and gasket at the end of each washing, to help prevent mould build up.
- Anti-Bacteria Treatment (ABT) in the gasket and laundry detergent dispenser helps keep your laundry environment hygienic.
- WiFi-enabled for future compatibility with remote access and smart home appliances.

FEATURES

- The inside of the wash drum lights up, helping to make sure no items are left behind.

ACCESSORY

- Hose set provided
- Noise reduction pads
- User manual

ELECTRICAL

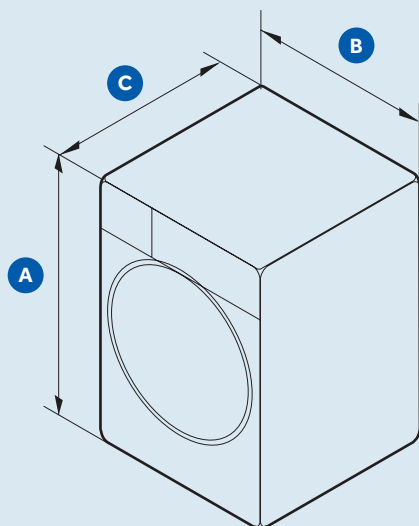
- Supply 220V-240V, 50Hz
- Service 10-amp circuit
- Connection 3-prong grounding-type

PLUMBING PRESSURE

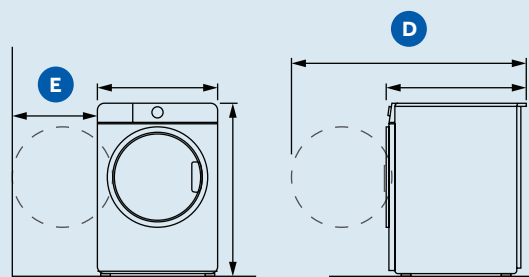
- Max. 1MPa (150psi) Min. 30KPa (4.5psi), Min. 6 litres/min

Product overview

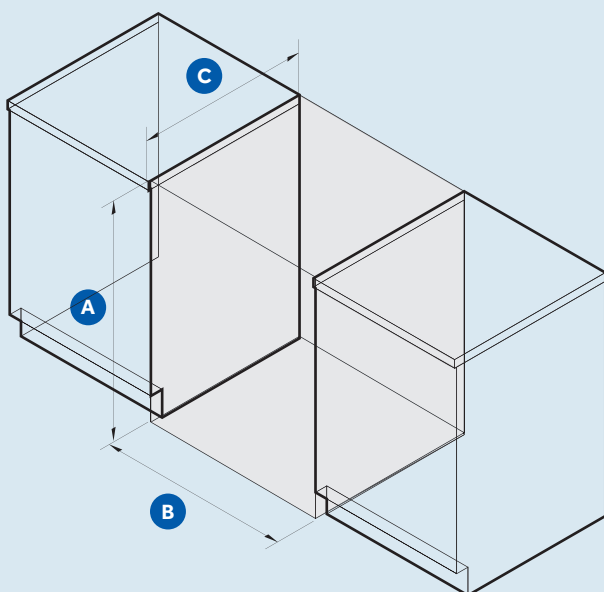
PRODUCT DIMENSIONS



		mm
A	Overall height	850
B	Overall width	595
C	Overall depth	660
D	Depth with door opened	1134
E	Min. Door Clearance to adj. wall	260



CAVITY DIMENSIONS



		mm
A	Overall height	870
B	Overall width	635
C	Min. overall cav flush with front panel	600
	Min. gap clearance to adj. product or wall	20