

PGA96 90CM GAS COOKTOP



EAN 8017709161866

Dimensions	867mmW x 79mmH x 512mmD
Finish	Stainless steel
Installation	Built-in
Capacity	6 burner Front left/front right (wok) 15.2 mj/hr Rear left 3.9 mj/hr Front centre 3.9 mj/hr Rear centre 7.5 mj/hr Rear right 7.5 mj/hr
Ignition	Automatic electronic
Gas Connection	Set for natural gas — regulator supplied Adaptable for ULPG — no regulator required
Power	220-240V 50/60Hz 10A Connection
Safety	Flame failure device
Supplied Accessories	1 x set of cast iron trivets 1 x cast iron pot rest
Optional Accessories	No
Warranty	Two years parts and labour

SPACIOUS DESIGN

When space is not restrictive, this wide 90cm hob offers five burners ergonomically positioned for maximum benefit with the possibility of several styles of cooking at the one time.

ULTRA-RAPID BURNER

This large and versatile burner suits the larger stock pots, boilers, saucepans and griddles. A wok stand is supplied for easy fitment over the centre trivet for stir-fry cooking.

ELECTRONIC IGNITION

The cooktop is connected with a power cord of 1.3 metre length to be plugged into a GPO located according to installation needs below the benchline. This supplies a continuous stored charge to spark the gas supply to the individual burner of your choice.

FLAME FAILURE DEVICE

A flame failure device is fitted to all five burners. The FFD ensures that should a flame be extinguished accidentally, the gas supply to the specific burner(s) is stopped. For absolute safety, the burner(s) can only be reignited by physically resetting the control knob(s) to the OFF position and then following normal ignition procedure. Simply depress and turn the control of the desired cooking zone for almost instant flame ignition.

LOW MAINTENANCE

The seamless hob design allows for easy wipe-over cleaning. The control knobs, also, are removable for cleaning access. Trivets, burner assemblies and wok stand can be washed in warm soapy water.

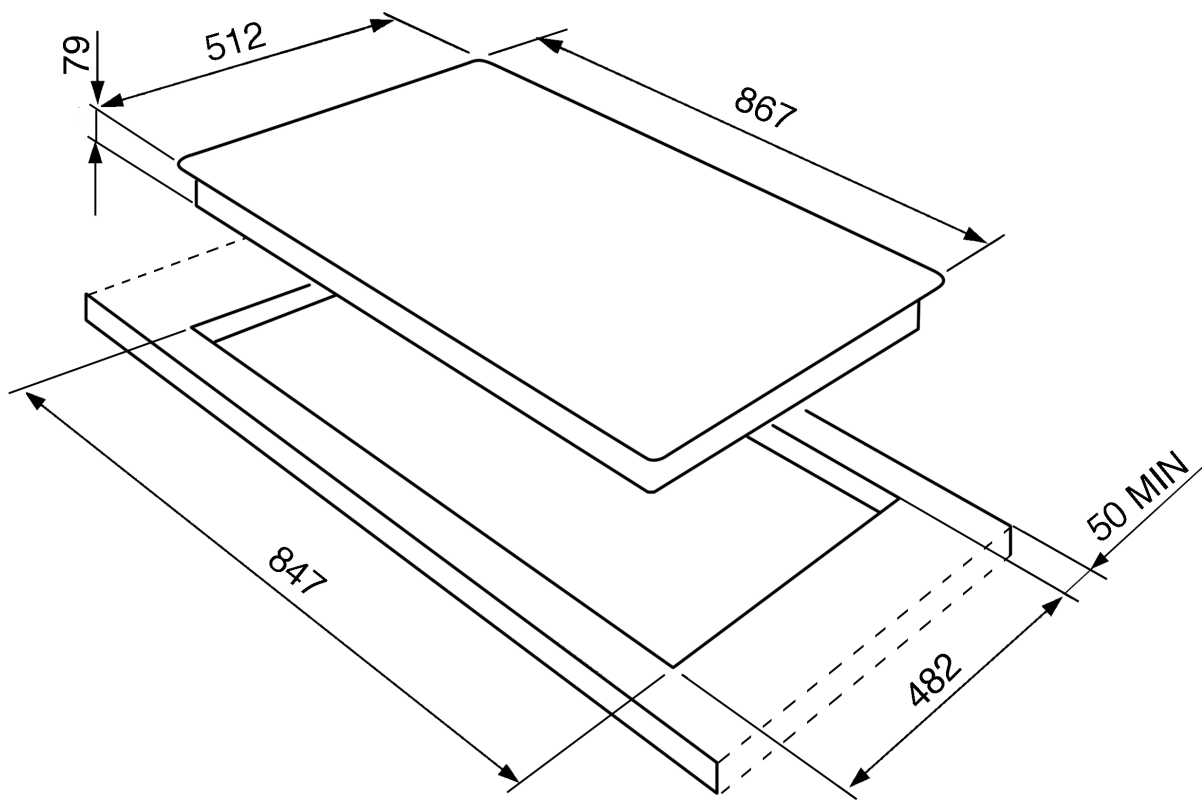
INSTALLATION

With a benchtop displacement of 75mm, the installation underbench is possible of oven or drawers.

LINEAR DESIGN

The PSA906 fits within the Linear range of Smeg appliances with complementing aesthetics.

PGA96
90CM GAS COOKTOP



PLEASE NOTE: Drawings are not to scale. They are to assist only.

WARNING: Technical specifications and product sizes can be varied by the manufacturer, without notice. Cutouts for appliances should only be by physical product measurements. The above information is indicative only.

ID210412