

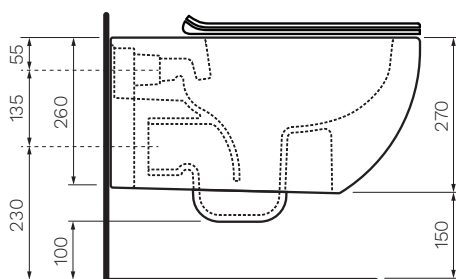
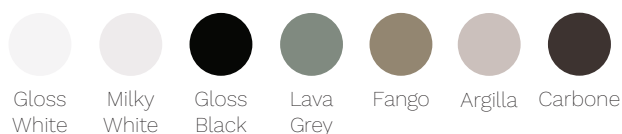
App Wall Hung Pan (goclean®)



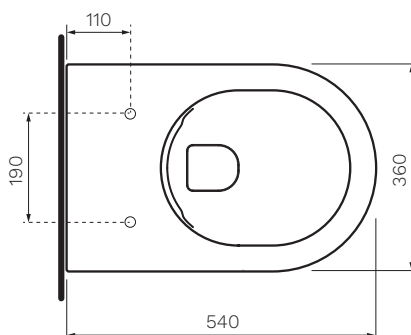
Product Code: FLAP118G.XX

(see colour codes below)

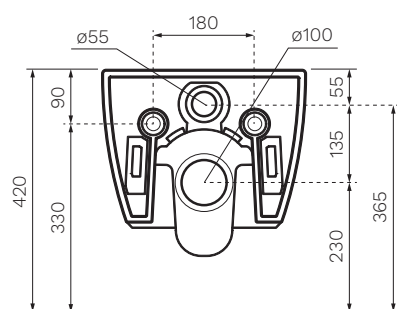
The timeless and elegant styling of the App wall hung pan is enhanced by its goclean® feature. The goclean® bowl is fully open, with no flushing rim and surfaces that are all softly rounded. These all combine to enable easy and thorough cleaning and the highest possible standard of hygiene.



SIDE VIEW



TOP VIEW



BACK VIEW



Colour & Finish — Gloss White, Milky White (01), Gloss Black (02), Lava Grey (05), Fango (07), Argilla (09), Carbone (22)

Material — Vitreous China

W x D x H — 360 x 540 x 270mm

Rim Type — goclean®

Seat Type — Soft Close, Slim Heavy Grade, Stainless steel hinges, Easy Lift-off (FLQKCW09)

P Trap — 230mm height FFL

Water Inlet — Back Inlet 365mm height FFL

Cistern Options — Compatible with framed concealed cisterns (PA120, PA121, PA140, PA141)

Button Options — Compatible with push button panels and remote button sets (PA221 - PA265)

WELS — 4 STAR 4.5/3L 3.1L Average Flush

Warranty — 10 Years (Conditions Apply)

→ **FLAMINIA.**



goclean®

