

**Serie | 6, fully-integrated dishwasher,
60 cm
SMV6HCX01A**



Optional accessories

SMZ5150AU : Kick panel stainless steel

Wifi connected dishwasher with an Extra Clean zone in the upper basket for heavily soiled dishes.

- **ExtraDry:** option for additional drying.
- **Max Flex baskets:** flexible and stable loading for your dishes, with superior sliding performance.
- **Rackmatic:** top basket adjustable on three levels offers additional space, especially for tall dishes.
- **Silence Plus:** remarkably quiet at 44dB.
- **Home Connect:** home appliances with smart connectivity for an easier everyday life.

Technical Data

Water consumption (l) :	11.0
Built-in / Free-standing :	Built-in
Height of removable worktop (mm) :	0
Dimensions of the product (HxWxD) :	815 x 598 x 550
Required niche size for installation (HxWxD) :	815-875 x 600 x 550
Depth with open door 90 degree (mm) :	1150
Adjustable feet :	Yes - all from front
Maximum adjustability feet (mm) :	60
Net weight (kg) :	39.830
Gross weight (kg) :	42.0
Connection Rating (W) :	2400
Current (A) :	10
Voltage (V) :	220-240
Frequency (Hz) :	50; 60
Length electrical supply cord (cm) :	175
Plug type :	AU plug
Length inlet hose (cm) :	165
Length outlet hose (cm) :	190
EAN code :	4242005280797
Number of place settings :	15
Energy consumption (kWh) :	0.65
Total cycle time of reference programme (min) :	195
Noise level (dB) :	44
Installation typology :	Full-integrated



4 242005 280797

Serie | 6, fully-integrated dishwasher, 60 cm SMV6HCX01A

Wifi connected dishwasher with an Extra Clean zone in the upper basket for heavily soiled dishes.

Capacity

- Capacity: 15 place settings

Consumption rates

- 4 Star energy rating, 5.5 stars Star WELS water rating
- 11 litres water consumption per wash and 245 kWh energy consumption per year, based on the Eco AU 45 °C program with a cold water connection

Design

- Stainless steel interior tub
- SoftTouch buttons: Electronic soft-touch activated buttons
- Hidden control buttons integrated into the top of the door

Wash Programs and Options

- 8 Programmes:
 - Eco Wash : Energy efficient wash & dry. Mixed loads & soil levels,
 - Auto Wash: Automatic wash & dry. Mixed loads & soil levels,
 - Auto Gentle : Automatic wash and dry program for delicate and lightly soiled dishes,
 - Pots & Pans: for heavily soiled dishes,
 - Quick 1h: quick wash & dry for mixed loads & soil levels,
 - Express wash: Wash only for lightly soiled dishes,
 - ExtraQuiet: extended quiet wash & dry program for mixed loads & soil levels,
 - Favourite: set or download your favourite combination
- Special options:
 - Extra Dry: Provides an even better drying result by extending the drying time
 - HygienePlus : Extended increased temperature program for hygienic cleaning
 - SpeedPerfect : Reduce wash time even after cycle has started
- Machine Care: maintains your dishwasher's optimum performance and hygiene option
- Extra quiet programme with lower dB(A)

Performance

- Extra Clean Zone: Provides an even better cleaning result for items placed directly over the three rotating nozzles in the top basket
- DosageAssist™: Maximises the effectiveness of detergent tablets. The tablet is dropped into a specially engineered

tray and is completely dissolved. For superior cleaning performance and a quieter wash.

- EcoSilence Drive® quiet and energy-efficient brushless motor (BLDC)
 - BLDC Main Pump: Variable water & spray pressure to achieve optimum cleaning results
 - BLDC Drain Pump: Fast and extra quiet draining of water, no gurgling sounds
- hydroDry heat exchanger assists with condensation to help dry dishes
- AutoBrilliance™: Automatic detergent and rinse aid sensor
- 5 Spray levels for maximum water contact and optimum wash results
- 3 stage self-cleaning filter system: design that helps reduce the need to wash the filter and prevents blockages

Flexibility

- Basket system with red coloured touchpoints provides total flexibility for all loading requirements
- VarioDrawer™: Provides an extra loading level for cutlery and utensils
- RackmaticPlus™: 3-stage top basket can be adjusted to three height levels to maximise convenience
- Ball bearing on top basket for an easy glide
- Low friction wheels on bottom basket
- Rack Stopper to prevent derailing of bottom basket
- 2 foldable plate racks in top basket
- 6 foldable plate racks in bottom basket
- Anti-slip protection strips in upper rack
- Moveable cutlery basket in lower basket

Convenience

- Very quiet operation - 44 dB
- HomeConnect via WiFi Connectivity
- Infolight : Program Status Indicator
- Time remaining display
- Audible program end
- Time delay start: Delay program start time by 1-24 hours to suit your schedule

Safety

- AquaStop™ Plus: Water supply device with lifetime anti-flood protection
- Child door lock

Product Dimensions (H x W x D)

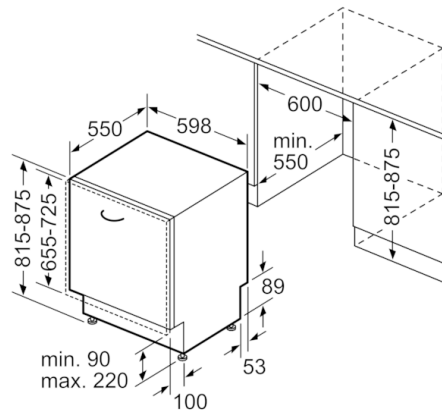
- Height 815-875 mm x Width 598 mm x Depth 550 mm

Serie | 6, fully-integrated dishwasher, 60 cm SMV6HCX01A

measurements in mm



socket
() values with extension kit



measurements in mm