

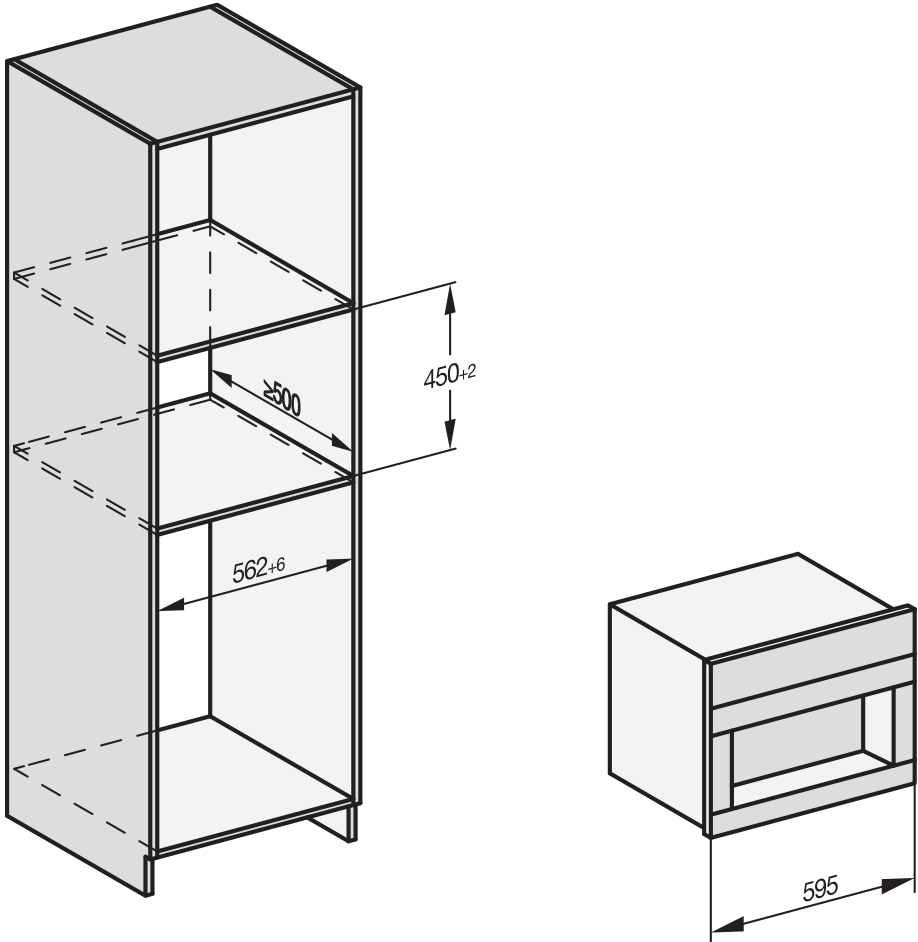
Installation

Building-in dimensions

Installation in a tall unit

A minimum installation height of 850 mm must be observed.

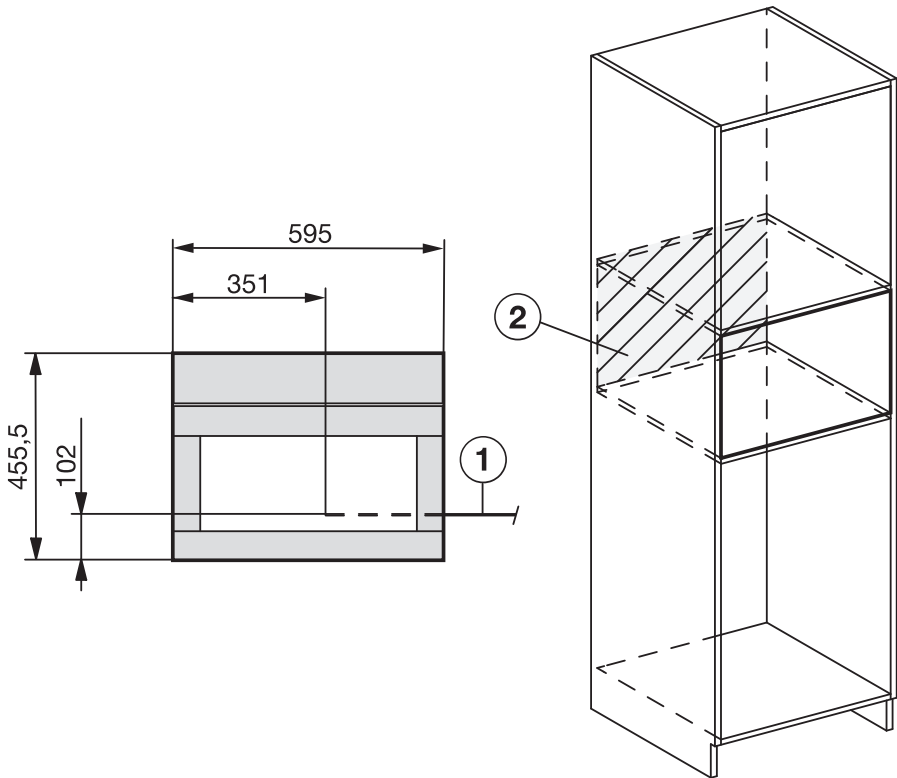
All dimensions are given in mm.



The machine can be combined with other Miele built-in appliances. In this case, there must be a full-width, closed shelf between them. If the machine is to be combined with a suitable built-in plate/food-warming drawer, no shelf is required in between.

Installation and connections

All dimensions are given in mm.



① Power cable

② No electrical connection in this area