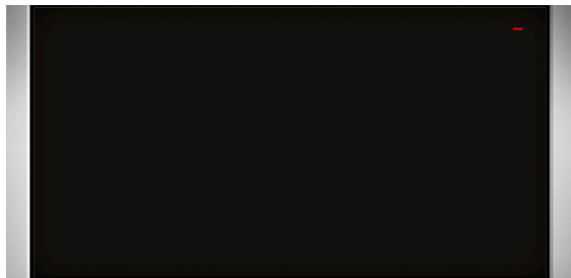


Built-in warming drawer, 60 x 29 cm, Stainless steel
N17HH20NOB



COOKING PASSION SINCE 1877



This 29cm high warming drawer will not only heat plates before serving up, but keep pre-cooked food warm.

✓ Push & Pull – open or close your drawer with a gentle tap on its seamless surface

Features

Technical Data

Built-in / Free-standing : Built-in
Color / Material Front : Stainless steel
Maximum number of plates : 40
Maximum number of espresso cups : 192
Dimensions : 290 x 596 x 548
Dimensions of the packed product (HxWxD) (mm) : 350 x 650 x 650
Required niche size for installation (HxWxD) : 290 x 560 x 550
EAN code : 4242004184645
Electrical connection rating (W) : 810
Current (A) : 10
Voltage (V) : 220-240
Frequency (Hz) : 60; 50
Plug type : GB plug



4 242004 184645

Optional accessories

Z11SZ00X0 SeamlessCombination mounting kit
Z11SZ80X0 SeamlessCombination 60 + 29cm

Built-in warming drawer, 60 x 29 cm, Stainless
steel
N17HH20N0B



COOKING PASSION SINCE 1877

Features

Design

Convenience

- Rotary Control
- User-friendly electronics: extremely easy and comfortable operation
- Heating plate made of toughened glass
- Cavity volume: 52 l usable litres
- Max weight up to 25 kg
- Max. loading espresso cups: 192 PC or Max. loading plates: 40 PC
- Suitable for: Pre-warming of crockery, Keeping drinks and food warm, Dough proving, Defrosting, Slow cooking
- Temperature control with 4 levels: 40 °C - 80 °C (glass surface temperature)
- Push&Pull opening mechanism

Technical Info

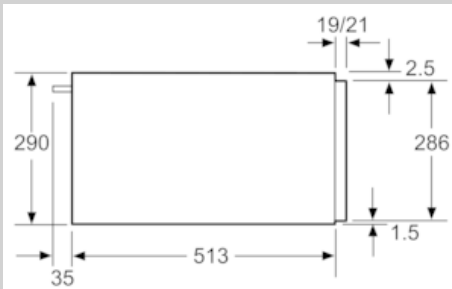
- Length of mains cable: 150 cm
- Total connected load electric: 0.81 KW
- Nominal voltage: 220 - 240 V

Dimensions

- Appliance dimensions (HxWxD): 290 mm x 596 mm x 548 mm
- Installation dimensions (HxWxD): 290 mm x 560 mm - 568 mm x 550 mm
- Please reference the built-in dimensions provided in the installation drawing

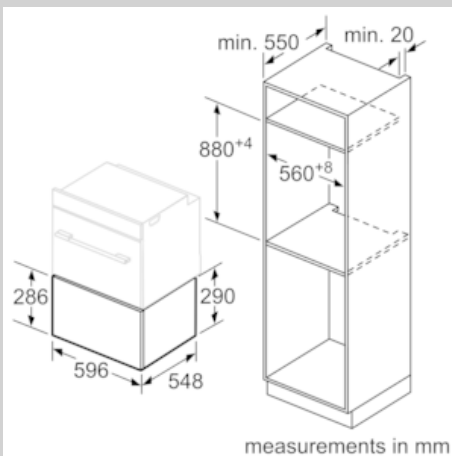
Built-in warming drawer, 60 x 29 cm, Stainless steel
 N17HH20N0B

Dimensioned drawings



Ovens with an appliance height of 595 mm can be installed above a warming drawer. An intermediate floor is not required.

measurements in mm



measurements in mm