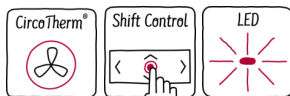


N 70, Built-in compact oven with microwave function, 60 x 45 cm, Graphite
C17MR02G0B



Compact built-in oven with integral microwave - even more ways to cook quickly and conveniently in a very small space.

- ✓ CircoTherm® - our smart hot-air solution for simultaneous baking and roasting on up to four levels
- ✓ Combined microwave and oven - the convenient solution to save space and time
- ✓ ShiftControl - fast navigation through menus and simple operation with the TFT display.
- ✓ LED Lights - bright illumination exactly where you need it
- ✓ Soft Close with Soft Opening - the damping system cushions the door for gentle opening and closing

Features

Technical Data

Type of micro-wave oven : MW-Combi
 Type of control : Electronic
 Color / Material Front : Graphite
 Dimensions : 455 x 596 x 548
 Cavity dimensions (mm) : 237.0 x 480 x 392.0
 Approval certificates : CE, VDE
 Length electrical supply cord (cm) : 150
 Net weight (kg) : 34.033
 Gross weight (kg) : 36.3
 EAN code : 4242004255390
 Maximum micro-wave power (W) : 900
 Connection Rating (W) : 3600
 Current (A) : 16
 Voltage (V) : 220-240
 Frequency (Hz) : 50; 60
 Plug type : no plug
 Cavity dimensions (mm) : 237.0 x 480 x 392.0



Optional accessories

Z11SZ00X0 SeamlessCombination mounting kit
 Z11SZ60G0 SeamlessCombination 45 + 14cm
 Z11SZ90G0 SeamlessCombination 60 + 45cm
 Z12CB10A0 Baking tray, anthracite enamelled
 Z12CM10A0 Moussaka pan, anthracite enamelled
 Z12CU10A0 Multipurpose pan, anthracite enamelled
 Z13CV06S0 Decor strip
 Z1913X0 Baking Stone

*N 70, Built-in compact oven with microwave
function, 60 x 45 cm, Graphite
C17MR02G0B*

Features

Heating Functions

- Compact oven with microwave with 6 heating methods:
 - Hot Air
 - Full surface grill
 - CircoTherm® Eco
 - Centre area grill
 - Circo-roasting
 - Plate warming
- Additional heating methods with microwave: Pure microwave, Combination microwave and conventional oven
- Intelligent inverter technology: maximum output power will be regulated to 600 W when used in longer operation
- Max. Power: 900 W; 5 Microwave power settings (90 W, 180 W, 360 W, 600 W, 900 W) with Inverter (MW)
- Temperature range 30 °C - 275 °C
- Cavity volume: 45 net usable litres

Hook-in racks / rails

- Number of shelf levels: 3 PC

Design

- Graphite-Grey Edition
- Illuminated ShiftControl
- Anthracite enamel cavity with 3 shelf positions

Cleaning

Convenience

- 2.5" colour and text Display with ShiftControl
- Electronic clock with start / stop function
- Automatic temperature proposal
 - Actual temperature display
 - Optical temperature control
- Number of automatic programmes: 14 PC
- Drop down door, SoftMove oven door with soft open and soft close, SoftOpen
- Bar handle
- Automatic programs
- Rapid heating-up: automatic
- LED lighting
- Cooling fan
- Stainless-steel fan

Accessories

- 1 x combination grid, 1 x universal pan

Safety and Environment

- Low door temperature
- Individual adjustable child lock
 - Safety switch off
 - Residual heat indicator
 - Start button
 - Door contact switch

Technical Info

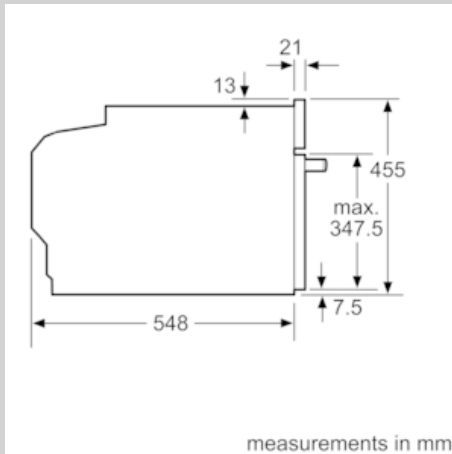
- Length of mains cable: 150 cm
- Nominal voltage: 220 - 240 V
- Total connected load electric: 3.6 KW

Dimensions

- Appliance dimensions (HxWxD): 455 mm x 596 mm x 548 mm
- Installation dimensions (HxWxD): 450 mm - 455 mm x 560 mm - 568 mm x 550 mm
- Please reference the built-in dimensions provided in the installation drawing

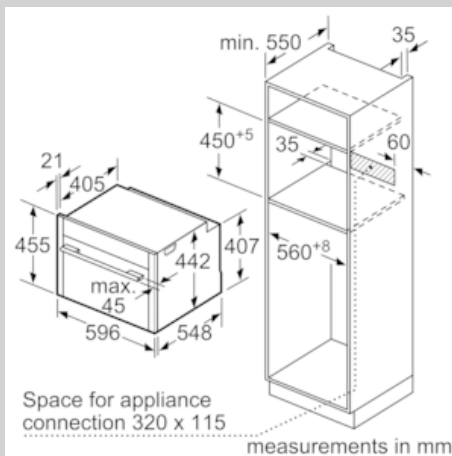
N 70, Built-in compact oven with microwave function, 60 x 45 cm, Graphite
C17MR02G0B

Dimensioned drawings



If the compact appliance will be installed underneath a hob, the following worktop thicknesses (including substructure if necessary) must be taken into account.

Hob type	min. worktop thickness	
	fitted	flush
Induction hob	42 mm	43 mm
Full surface Induction hob	52 mm	53 mm
Gas hob	32 mm	43 mm
Electric hob	32 mm	35 mm



Installation with a hob.

