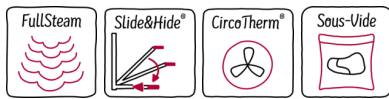


N 90, Built-in oven with steam function, 60 x 60 cm,
Graphite
B47FS26G0



COOKING PASSION SINCE 1877



Built-in oven with FullSteam and SLIDE&HIDE® - combining all heating types and steam cooking in a single oven with unrestricted access.

- ✓ FullSteam Oven: A full function oven and steamer in one. Use FullSteam to create healthy, succulent dishes with intense flavour.
- ✓ Slide&Hide® - the door disappears underneath the oven for unrestricted access and the handle rotates for easy handling
- ✓ CircoTherm® - our smart hot-air solution for simultaneous baking and roasting on up to four levels
- ✓ Sous-vide - prepare vacuum-sealed dishes with FullSteam for a new horizon of flavour.
- ✓ Baking and Roasting Assistant with Automatic Programmes - the duo for optimal baking at your command

Features

Technical Data

Color / Material Front : Graphite
 Built-in / Free-standing : Built-in
 Door opening : Drop down
 Required niche size for installation (HxWxD) : 585-595 x 560-568 x 550
 Dimensions : 595 x 596 x 548
 Dimensions of the packed product (HxWxD) (mm) : 660 x 650 x 690
 Control Panel Material : Stainless steel
 Door Material : Glass
 Net weight (kg) : 41.921
 Approval certificates : CE, VDE
 Length electrical supply cord (cm) : 120
 EAN code : 4242004255338
 Current (A) : 16
 Voltage (V) : 220-240
 Frequency (Hz) : 50; 60
 Plug type : Gardy plug w/ earthing
 Approval certificates : CE, VDE
 Number of cavities (2010/30/EC) : 1
 Usable volume (of cavity) - NEW (2010/30/EC) : 71
 Energy efficiency rating : A+
 Energy consumption per cycle conventional (2010/30/EC) : 0.87
 Energy consumption per cycle forced air convection (2010/30/EC) : 0.69
 Energy efficiency index (2010/30/EC) : 81.2

Optional accessories

Z11SZ00X0 SeamlessCombination mounting kit
 Z11SZ90G0 SeamlessCombination 60 + 45cm
 Z12CB10A0 Baking tray, anthracite enamelled
 Z12CM10A0 Moussaka pan, anthracite enamelled
 Z12CU10A0 Multipurpose pan, anthracite enamelled
 Z13TC10X0 ComfortFlex Rail (1 level) f. steam
 Z13TC16X0 ComfortFlex Rail (1level)&racks f. steam
 Z13TF36X0 3 level telescopic rails, full ext,steam



4 242004 255338

*N 90, Built-in oven with steam function, 60 x 60
cm, Graphite
B47FS26G0*



COOKING PASSION SINCE 1877

Features

Heating Functions

- Cavity volume: 71 net usable litres
- Temperature range 40 °C - 250 °C
- 12 heating methods: Hot Air, CircoTherm® Eco, Top/bottom heating, Top/bottom heating Eco, Circo-roasting, Full surface grill, Centre area grill, CircoTherm® Intensive, Bread Baking, Bottom heating, Low temperature cooking, Keep warm

Hook-in racks / rails

- Number of shelf levels: 4 PC
- Telescopic rails: Large capacity oven with shelf supports, Telescopic shelf rails available as optional accessory

Design

- Graphite-Grey Edition
- Illuminated ShiftControl
- Anthracite enamel cavity with 4 shelf positions

Cleaning

- EcoClean Direct : back panel
- EasyClean® Cleaning aid programm
- Full glass inner door - safer touch door

Convenience

- 4.1" TFT colour and graphics display with ShiftControl
- Electronic clock with start / stop function
- Automatic temperature proposal
Actual temperature display
Optical temperature control
Meat probe function
- Number of automatic programmes: 38 PC
- Additional functions:
Descaling program
drying function
- Slide&Hide® door, SoftOpen
- Revolution handle
- Bake and Roast assist, Automatic programs
- MultiPoint MeatProbe
- Rapid heating-up: automatic
- LED lighting
- Large 1 litre water tank
- Location of the steam generator is outside of the cavity
- Cooling fan
- Stainless-steel fan
- HomeConnect ready

Accessories

- 1 x enamel baking tray, 1 x grid, 1 x sponge, 1 x steam container, punched, size S, 1 x steam container, punched, size XL, 1 x steam container, unpunched, size S, 1 x universal pan

Safety and Environment

- Low door temperature
- Automatic door lock during pyrolysis
Individual adjustable child lock
Safety switch off
Residual heat indicator
Start button
Door contact switch

Technical Info

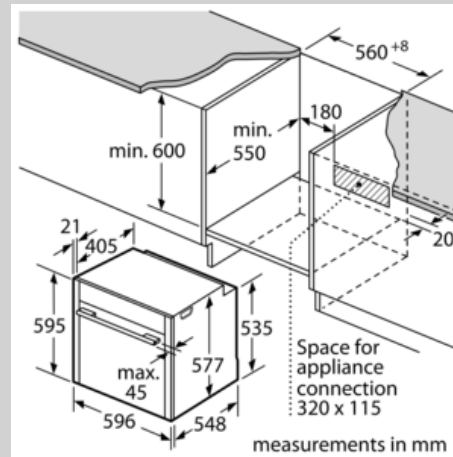
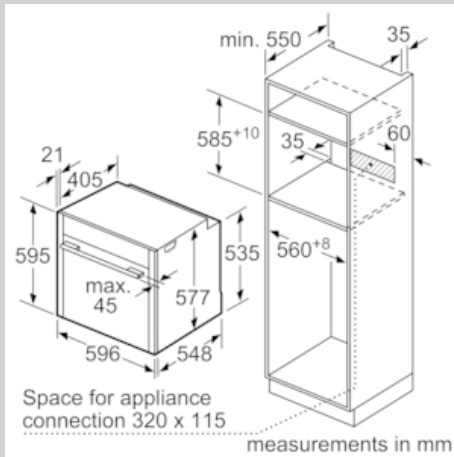
- Length of mains cable: 120 cm
- Nominal voltage: 220 - 240 V
- Total connected load electric: 3.6 KW

Dimensions

- Appliance dimensions (HxWxD): 595 mm x 596 mm x 548 mm
- Installation dimensions (HxWxD): 585 mm - 595 mm x 560 mm - 568 mm x 550 mm
- Please reference the built-in dimensions provided in the installation drawing

N 90, Built-in oven with steam function, 60 x 60 cm, Graphite
B47FS26G0

Dimensioned drawings



If the appliance will be installed underneath a hob, the following worktop thicknesses (including substructure if necessary) must be taken into account.

Hob type	min. worktop thickness	
	fitted	flush
Induction hob	37 mm	38 mm
Full surface Induction hob	47 mm	48 mm
Gas hob	30 mm	38 mm
Electric hob	27 mm	30 mm

