

**AXOR Starck Organic  
Roll holder**

Surfaces: **Chrome** Article Number: **42736000**



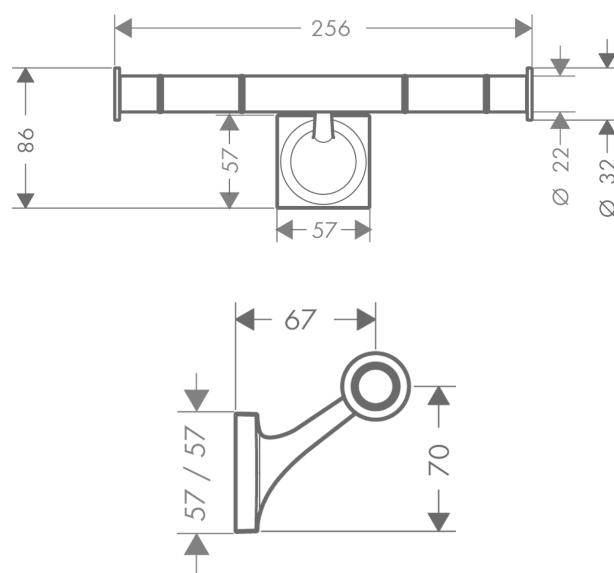
**product features**

- material: metal
- material holder: metal
- double toilet roll holder
- wall-mounted
- concealed fastening
- for 2 paper rolls

**Product image**



**Scale drawing**



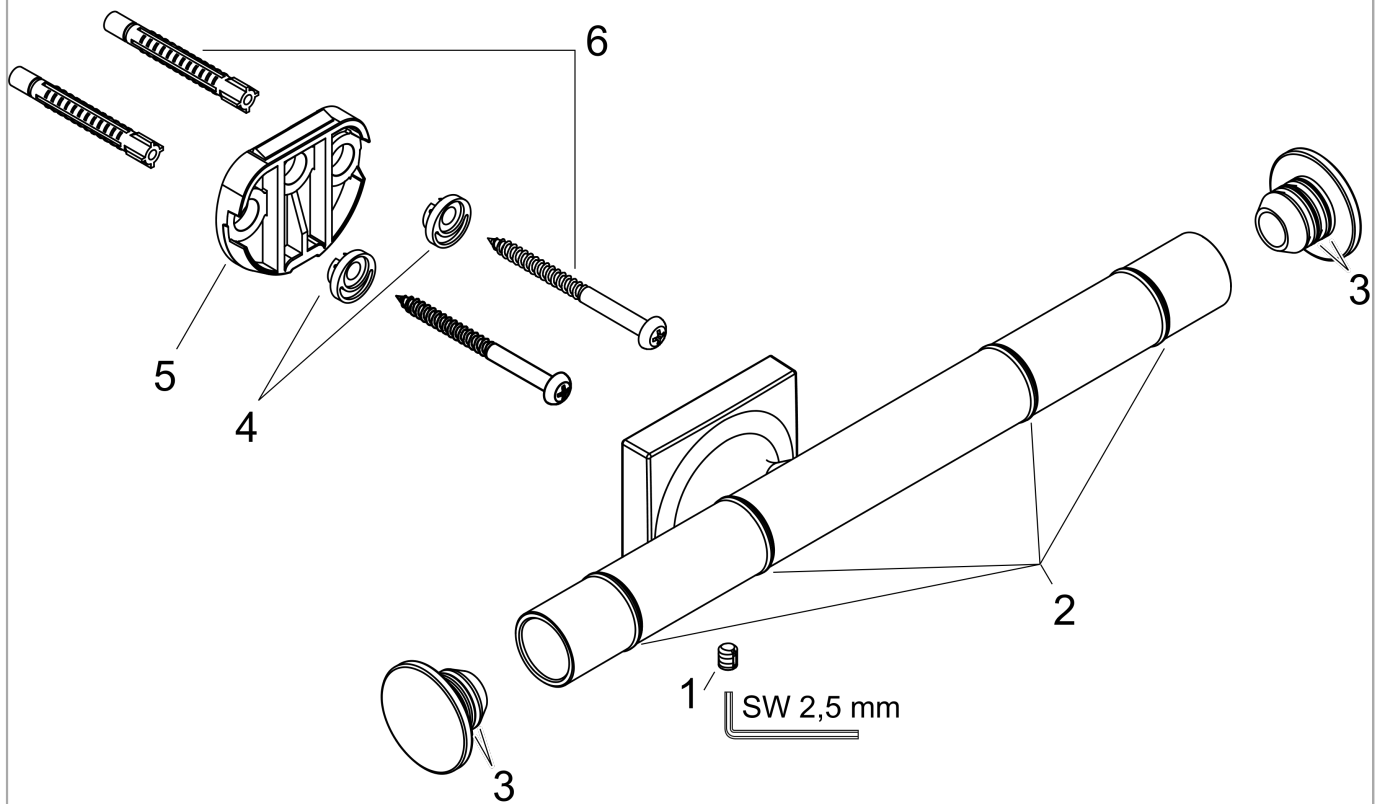
**AXOR Starck Organic**  
**Roll holder**

Surfaces: **Chrome**    Article Number: **42736000**



**Exploded Drawing**

Year of production: >11/12



**AXOR Starck Organic**  
**Roll holder**

Surfaces: **Chrome**    Article Number: **42736000**



**Spare part list**

Year of production: >11/12

Pos.		Article Number	Price	PU
1	hollow set screw M5x6	97768000	-	1
2	O-ring 15x2,5	98131000	-	1
3	O-ring 14x2	98129000	-	1
4	excentric socket	97604000	-	1
5	support element	98342000	-	1
6	mounting set	40915000	-	1