

FAB5 50'S STYLE RETRO REFRIGERATOR



Finish	Red, Black, Cream, White, Pastel Blue, Pastel Green, Silver
Dimensions	404mmW x 740mmH x 534mmD (including handle)
Gross Capacity	Refrigerator: 38L

REFRIGERATOR (Main Compartment)

No. Shelves	2 x adjustable glass shelves
Lighting	LED

REFRIGERATOR (Inner door)

No. Shelves	1 x adjustable shelf with wire support 1 x bottle shelf with wire support
-------------	--

Performance

Power	220-240V, 50Hz 10A (3-pin plug)
Warranty	5 years parts and labour



REFRIGERATION

FAB5
50'S STYLE RETRO REFRIGERATOR

RED



FAB5RRD5AU
EAN 8017709306151

BLACK



FAB5RBL5AU
EAN 8017709306137

CREAM



FAB5RCR5AU
EAN 8017709306144

WHITE



FAB5RWH5AU
EAN 8017709306205

PASTEL BLUE



FAB5RPB5AU
EAN 8017709306168

PASTEL GREEN



FAB5RPG5AU
EAN 8017709306175

PINK



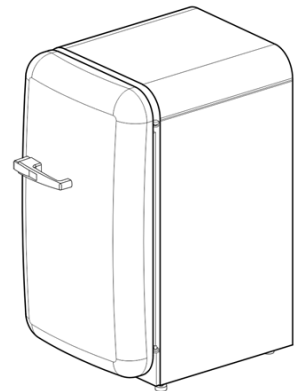
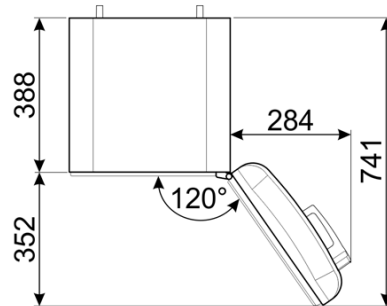
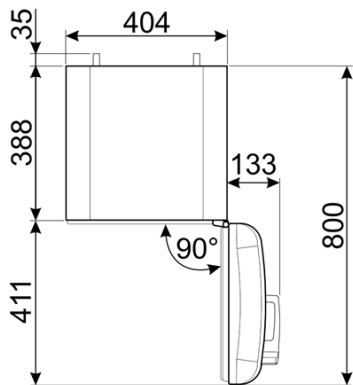
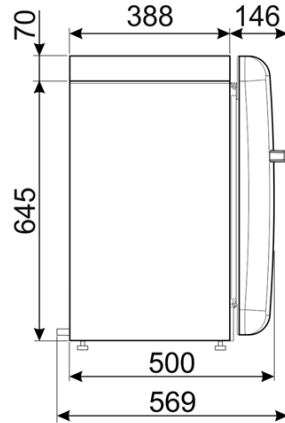
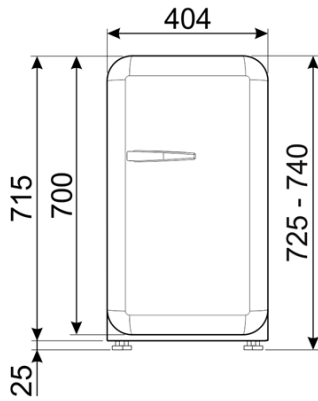
FAB5RPK5AU
EAN 8017709306182

SILVER



FAB5RSV5AU
EAN 8017709306199

FAB5 50'S STYLE RETRO REFRIGERATOR



PLEASE NOTE: drawings are not to scale. They are to assist only.
WARNING: technical specifications and product sizes can be varied by the manufacturer without notice.
Cutouts for appliances should only be by physical product measurements. The above information is indicative only.

ID210414