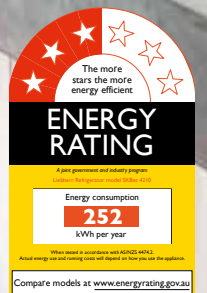


Practicality And Elegance For Your Kitchen

Quality, Design and Innovation

SKBes 4210



LIEBHERR



BioFresh: BioFresh guarantees the perfect temperature and ideal humidity for much longer freshness. While the DrySafe is perfect for meat, fish, and dairy products, the high humidity in the Fruit & Vegetable-Safe can prevent fruit and vegetables from drying out and helps preserve stored goods for an even longer period.



Touch control system: Our intuitive electronic touch control panel ensures all functions are easy and convenient to use as well as guarantees that the settings selected remain accurate and constant.



SmartSteel: With SmartSteel used on the appliance door the visibility of fingerprints is reduced, making it very easy to clean. Maintain this beautiful door exterior simply with a wipe of a clean, dry or damp cloth.

The freestanding fridge with BioFresh **SKBes 4210** is the perfect choice for those who like ample storage for fresh meat, fish, dairy, vegetables and fruit, along with other refrigerated items. It includes easy clean and scratch resistant GlassLine shelves plus a foldable glass shelf which allows extra space for tall items.

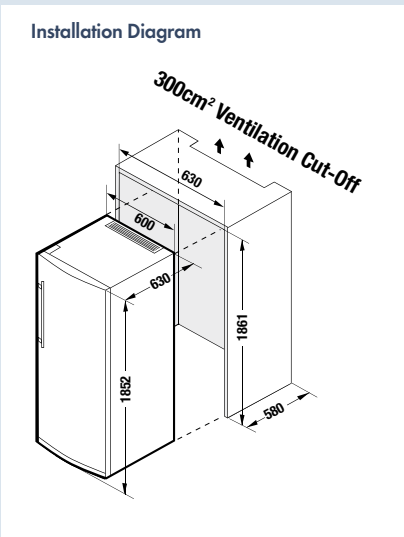
The SmartSteel door is scratch resistant and makes fingerprints virtually disappear – one wipe of a cloth is all it takes to keep the surface clean. The **SKBes 4210** can be paired with itself with the help of our optional side by side kit for even more fridge and freezer space.

SKBes 4210
Premium

Bio Fresh

Telescopic Rails

Energy consumption (kWh/yr) Star rating	252 3.0
Compressors	1
Total capacity litres (L) - Gross Net	403 364
Refrigerator gross (L) Refrigerator net (L)	277 247
BioFresh gross (L) BioFresh net (L)	126 117
Control system Display	Touch Electronics LCD
Child proof setting for display & temperature	Yes
LED standard lighting	Yes
Handle Integrated opening device	3/4" Stainless Steel •
Malfunction warning signal Door open warning signal	• •
BioFresh drawers on telescopic rails	3
SuperCool	Yes
GlassLine shelves	Yes
Elegant holding columns	Yes
Removable VarioBoxes	Yes
Add Integrated bottle shelf	•
Automatic refrigerator defrosting	•
Door hinges	Right
Voltage (V) Rated Current (A)	220-240 1.2
Made in	Bulgaria



Note: Whilst every effort is made to ensure all specifications and information in this flyer are accurate, Liebherr reserves the right to make changes without notification. Where actual appliance measurements, specifications, and ratings are crucial, we recommend that the actual appliance installation instructions that accompany each appliance be checked. Liebherr will not be liable for any loss.