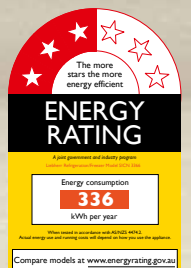


# Maximum Flexibility With Modular Solutions

Quality, Design and Innovation

SICN 3366



# LIEBHERR



**Door-on-door technology:** Allows custom panels to be affixed directly onto the appliance door so that the hinges are concealed, plus the cabinet and the fridge open as one, ensuring a wide range of design options and easy installation.



**IceMaker:** Liebherr's automatic IceMaker produces flawless crescent ice and keeps constant supply on hand for every occasion.



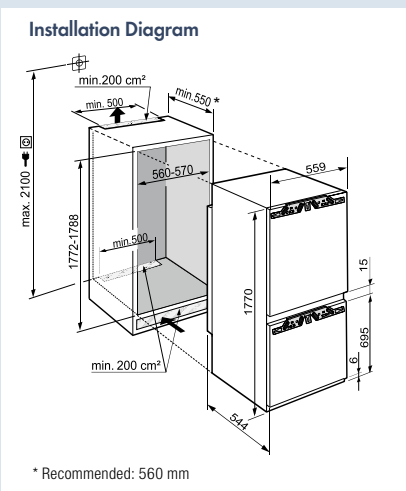
**BioCool:** The humidity level inside the BioCool-Box can be regulated using a slider control so that the freshness of produce stored in the box can be preserved for longer.

Liebherr's **SICN 3366** fully integrated fridge-freezer provides diverse design options for a perfect and seamless kitchen with the help of our door-on-door technology. A BioCool drawer regulates humidity via a slider control to keep your fruits and vegetables fresher for longer. And there is no need for a plumbed water connection as this model includes a convenient 1.2 litres internal water tank for the IceMaker. Simply fill the tank with filtered water to produce crystal clear ice cubes!

**SICN 3366**  
Premium

- Bio Cool
- No Frost
- Duo Cooling
- Ice Maker
- Soft System

Energy consumption (kWh/yr)   Star rating	336   3.0
Compressors	1
Total capacity litres (L) - Gross   Net	283   255
Refrigerator gross (L)   net (L)	202   196
Freezer gross (L)   net (L)	81   59
MagicEye control system   Display	Touch Electronic   LCD
Child proof setting for display & temperature	•
Premium lighting	•
DuoCooling	•
SoftSystem hinge - assists closure	•
Temp alarm   Door open warning signal   Malfunction warning signal	•   •   •
BioCool-Box	1
SuperCool	•
GlassLine shelves	•
VarioSafe	•
Elegant holding columns	•
Egg tray	•
Freezer defrosting	Frost Free
FrostSafe system - transparent drawers	•
Freezer drawers   Ice cube drawer	3   1
SuperFrost   VarioSpace	•   •
24hr freezing capacity (kg)	10
Cold storage accumulators	2
IceMaker	• (water tank)
Ice cube capacity (kg/24h)   Ice cube stock maximum (kg)	0.8   1.0
Door hinges	Left, reversible
Voltage (V)   Rated Current (A)	220-240   1.4
Made in	Germany



Note: Whilst every effort is made to ensure all specifications and information in this flyer are accurate, Liebherr reserves the right to make changes without notification. Where actual appliance measurements, specifications, and ratings are crucial, we recommend that the actual appliance installation instructions that accompany each appliance be checked. Liebherr will not be liable for any loss.