

BLU  
Performance

# Energy Efficiency At Its Best

Quality, Design and Innovation

LIEBHERR

CNef 4315



# LIEBHERR



**SmartSteel:** With SmartSteel used on the appliance door the visibility of fingerprints is reduced, making it very easy to clean. Maintain this beautiful door exterior simply with a wipe of a clean, dry or damp cloth.



**Touch control system:** Our intuitive electronic touch control panel ensures all functions are easy and convenient to use as well as guarantees that the settings selected remain accurate and constant.



**BioCool:** The humidity level inside the BioCool-Box can be regulated using a slider control so that the freshness of produce stored in the box can be preserved for longer.

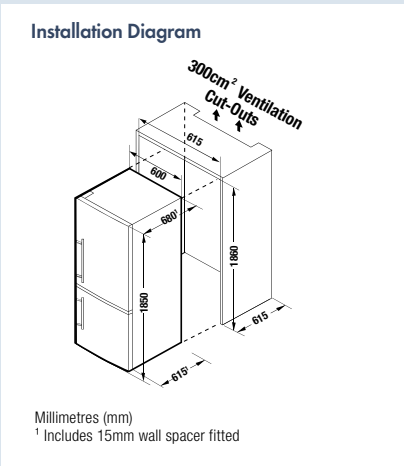
Liebherr's BluPerformance **CNef 4315** fridge-freezer is characterised by premium-quality materials, craftsmanship in every detail, and precision touchscreen electronic controls. The integration of all the refrigeration components into the base of the appliance ensures maximum energy efficiency, a greater net capacity, and enhanced freezer compartment ergonomics.

Meanwhile, BioCool technology keeps food fresher for longer. The elegant and timeless design of this model makes it a guaranteed highlight in any home.

**CNef 4315**  
Comfort

- Bio Cool
- No Frost
- Duo Cooling
- Smart Steel

Energy consumption (kWh/yr)   Star rating	202   5.5
Compressors	1
Total capacity litres (L) - Gross   Net	350   321
Refrigerator gross (L)   Refrigerator net (L)	230   220
Freezer gross (L)   Freezer net (L)	120   101
Control system   Display	Touch Electronic   2.4" Display
Child proof setting for display & temperature	•
LED standard lighting	•
DuoCooling	•
Sabbath mode	•
Handle	Aluminium
Temp alarm   Malfunction warning signal   Door open warning signal	•   •   •
Removable door seals	•
BioCool-Box	•
SuperCool	•
Activated charcoal filter	•
GlassLine shelves	•
Egg tray	•
Automatic refrigerator defrosting   Freezer defrosting	•   Frost Free
FrostSafe system with transparent drawers   Freezer drawers	•   3
SuperFrost   VarioSpace	•   •
24hr freezing capacity (kg)	16
Door hinges	Right, reversible
Voltage (V)   Rated Current (A)	220-240   1.4
Made in	Germany



*Note: Whilst every effort is made to ensure all specifications and information in this flyer are accurate, Liebherr reserves the right to make changes without notification. Where actual appliance measurements, specifications, and ratings are crucial, we recommend that the actual appliance installation instructions that accompany each appliance be checked. Liebherr will not be liable for any loss.*