

# Caroma®

CI/SfB	(74.2)	g3
Date	March 2017	

Supersedes all previous issues

## Luna

### Vitreous China Above Counter Vanity Basin

Nominal Size: 450mm x 320mm

# 2.18.1





Tapware shown not included.

Classic and relaxed. The subtle, subdued curves of **Luna** basins will effortlessly flow into any contemporary bathroom design. The basin is suitable for general purpose, domestic and commercial applications.

**Tap Holes:** Basin available in: No tapholes Code No.899000.

**Waste Outlet:** The basin has been designed for the Caroma waste outlet suitable for a 40mm trap connection. Chrome flush fitting waste and white plug supplied. Alternative waste options are available — Plug & anti-vandal flush fitting chrome waste Code No.687141C; Plug & chrome grate waste Code No.687328C

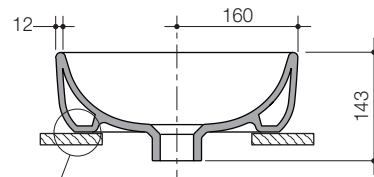
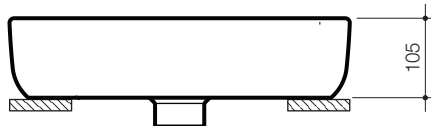
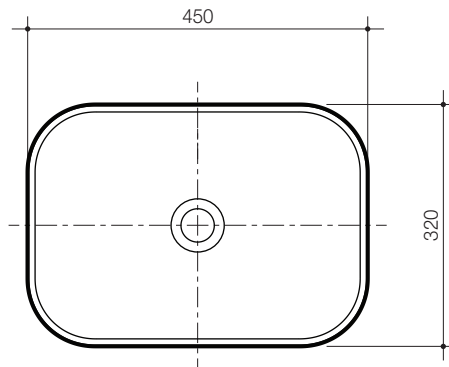
**Bowl Capacity:** 7.7 litres.

**Overflow:** Overflow not available.

**Fixing:** An acetic cured silicone sealant is to be used to secure the basin to the counter top. **Epoxy type glues must not be used.** The basin is supplied with a template which must be used for the counter top cut-out.

**Colours:** White only.

**Dimensions:** All dimensions are in millimetres and are subject to normal manufacturing variations. Caroma pursues a policy of continuing improvement in design and performance of its products. The right is therefore reserved to vary specifications without notice.



Acetic cured silicone sealant  
**IMPORTANT:** Epoxy type glues must not be used

