

**Serie | 4, Built-in oven, 60 x 60 cm
HBA534BB0A**



Included accessories

1 x grill tray
2 x Combination grid
1 x universal pan

Optional accessories

HEZ317000 , HEZ327000 Pizza stone, HEZ333001 , HEZ530000
Half tray, HEZ531000 , HEZ531010 Baking tray, non-stick
ceramic coated, HEZ532000 , HEZ532010 Universal pan,
non-stick ceramic coated, HEZ533000 , HEZ538000 1fold
telescopic rail, level independent, HEZ538200 2 level telescopic
shelf rails, HEZ538S00 , HEZ625071 Grill tray, anthracite
enamelled, HEZ633001 Lid for professional pan, enamelled anth,
HEZ633070 , HEZ634000 Baking and roasting grid (standard),
HEZ636000 Glass pan, HEZ638200 , HEZ638300 , HEZ660050 ,
HEZ915003

The built-in oven with 3D hot air: achieve perfect baking and roasting results on up to three levels simultaneously.

- **3D hotair:** perfect results thanks to optimal distribution of heat on up to 3 levels simultaneously - without taste transfer.
- **EcoClean Direct:** almost no cleaning is necessary thanks to a special coating of the rear wall that automatically absorbs grime.
- **Red LED display control:** easy-to-use thanks to the time functions.
- **Pop-out controls:** For an easy to clean front.
- **Cleaning Assistance:** less cleaning effort thanks to the new cleaning option, which can be especially used for cleaning of light soiling.

Technical Data

Color / Material Front :	Black
Built-in / Free-standing :	Built-in
Integrated Cleaning system :	catalytic partial, Hydrolytic
Required niche size for installation (HxWxD) :	585-595 x 560-568 x 550
Dimensions :	595 x 594 x 548
Dimensions of the packed product (HxWxD) (mm) :	0 x 0 x 0
Control Panel Material :	Glass
Door Material :	Glass
Net weight (kg) :	0.000
Usable volume of cavity (l) :	71
Cooking method :	Bottom heat, Conventional heat, Full width grill, Hot Air, Hotair gentle, Hot air grilling, Pizza setting
First cavity material :	Other
Number of interior lights :	1
Approval certificates :	CE, VDE
Length electrical supply cord (cm) :	120
Interior Lights - cavity 1 :	1
Pull-out system :	Accessory
Clock function :	Alarm, Off, On
Included accessories :	1 x grill tray, 2 x combination grid, 1 x universal pan
Broil Element Wattages cavity 1 (W) :	2700
Convection Element Wattages cavity 1 (W) :	2200
Energy efficiency rating :	A
Energy consumption per cycle conventional (2010/30/EC) :	0.97
Energy consumption per cycle forced air convection (2010/30/EC) :	0.81
Energy efficiency index (2010/30/EC) :	95.3
Connection Rating (W) :	3400
Current (A) :	16
Voltage (V) :	220-240
Frequency (Hz) :	50; 60
Plug type :	no plug
Color / Material Front :	Black
Energy input :	Electric
Approval certificates :	CE, VDE
Required cutout/niche size for installation (in) :	x x
Dimensions of the packed product (in) :	0.0 x 0.0 x 0.0
Net weight (lbs) :	0.000
Gross weight (lbs) :	0.000
Length electrical supply cord (cm) :	120
Net weight (kg) :	0.000
Gross weight (kg) :	0.0



4 242005 293322

Serie | 4, Built-in oven, 60 x 60 cm HBA534BB0A

The built-in oven with 3D hot air: achieve perfect baking and roasting results on up to three levels simultaneously.

Dimensions

- Appliance dimensions (HxWxD):595 mmx594 mmx548 mm
- Installation dimensions (HxWxD):585 mm-595 mmx560 mm-568 mmx550 mm
- Please reference the built-in dimensions provided in the installation drawing

Heating Functions

- Oven with 7 heating methods:
 - Full width grill
 - Hot air gentle
 - 3D Hot air
 - Top/bottom heating
 - Pizza setting
 - Bottom heating
 - Hot air grilling
- Temperature range 50 °C-275 °C
- Cavity volume: 71 net usable litres

Hook-in racks / rails

- Number of shelf levels: 5 PC
- Telescopic rails: Available as an additional accessory

Design

- Rotary control knobs, Retractable control knobs
- Extra large capacity oven with grey enamel

Cleaning

- EcoClean Direct :back panel
- Cleaning Assistance - cleaning option for light soiling

Convenience

- LED-display control (red)
- Bar handle
- Rapid heating-up: manual
- Round halogen light
- Cooling fan

Accessories

- 1 x grill tray, 2 x combination grid, 1 x universal pan

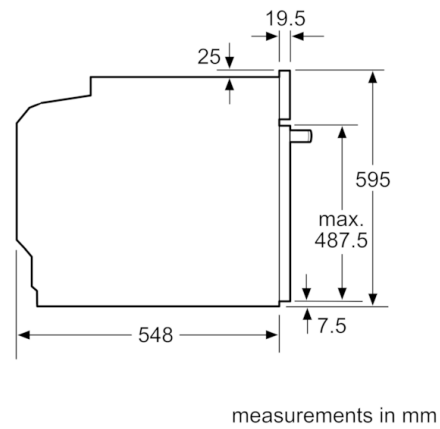
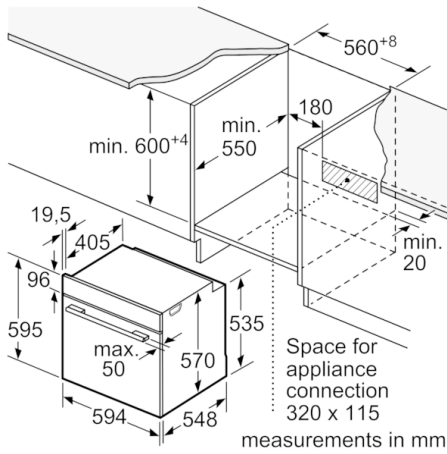
Safety and Environment

- Maximum door temperature 40° C
- Child lock function

Technical Info

- Length of mains cable: 120 cm
- Nominal voltage: 220 - 240 V
- Total connected load electric: 3.4 KW

Serie | 4, Built-in oven, 60 x 60 cm
HBA534BB0A



Installation with a hob.

