

**Serie | 4, Slideout rangehood, 60 cm,
Silver metallic
DFS067A51A**



Optional accessories

DSZ4565 : Standard recirculation kit

**Slideout rangehood: barely visible
integrated in the wall unit, this ensures a
sleek and clear kitchen finish.**

- **EcoSilence Drive:** our highly efficient motor saves on energy, not on performance.
- **LED lighting:** for perfect, energy-efficient illumination of the cooktop.
- **Intensive speed setting:** removes strong kitchen odours especially quickly and effectively.
- With exhaust, the air is cleaned by a grease filter and then ducted to the outside which ensures optimal kitchen air quality.
- Dishwasher-safe metal grease filters for easy cleaning.

Technical Data

Typology :	Pull-out
Approval certificates :	Australia Standards, VDE
Length electrical supply cord (cm) :	175
Required niche size for installation (HxWxD) :	385mm x 524.0mm x 290mm
Minimum distance above an electric hob :	430
Minimum distance above a gas hob :	650
Net weight (kg) :	10.972
Type of control :	Electronic
Maximum output air extraction (m ³ /h) :	399
Boost position output recirculating (m ³ /h) :	483.0
Maximum output recirculating air (m ³ /h) :	295
Boost position air extraction (m ³ /h) :	728
Number of lights :	2
Noise level (dB) :	53
Diameter of air outlet (mm) :	120 / 150
Grease filter material :	Washable stainless steel
EAN code :	4242005252442
Connection Rating (W) :	144
Current (A) :	10
Voltage (V) :	220-240
Frequency (Hz) :	50; 60
Plug type :	AU plug
Installation typology :	Built-in



**Serie | 4, Slideout rangehood, 60 cm, Silver metallic
DFS067A51A**

Consumption Data

- Average Energy Consumption: 37.9 kWh/year
- Power rating: 144 W

Slideout rangehood: barely visible integrated in the wall unit, this ensures a sleek and clear kitchen finish.

- Appliance width: 598 mm
- Install into a 60cm wide wall cupboard
- Ducted and recirculated-air operation

Design

- Appliance colour: Steel body, metallic finish

Comfort

- Electronic controls with low-lift push buttons
- Automatic On/Off operation when telescopic canopy is pulled out and pushed back or through main switch
- Push button controls (3 power settings plus intensive setting) with Electronic display
- Push button controls for power and light
- 3 power settings plus intensive setting
- Intensive operation automatic revert - 6min
- Automatic run on for Automatic run on - 10 min
- 2 x 1.5W LED
- Colour Temperature: 3500 K

Cleaning

- Stainless steel filter covers, dishwasher safe
- Dishwasher safe metal grease filters

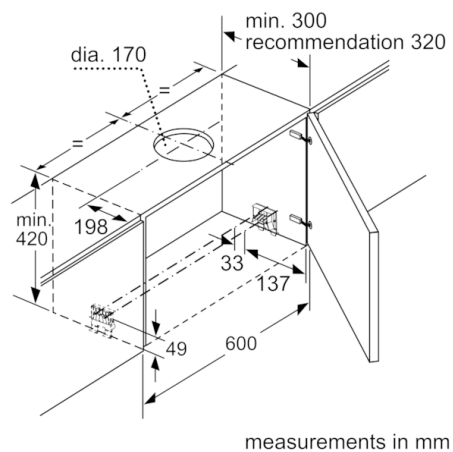
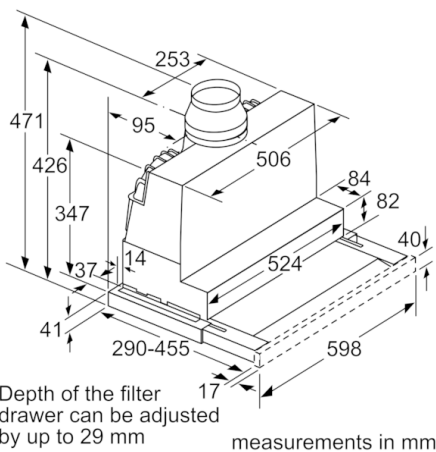
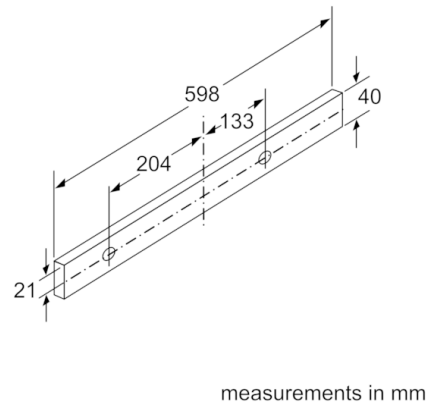
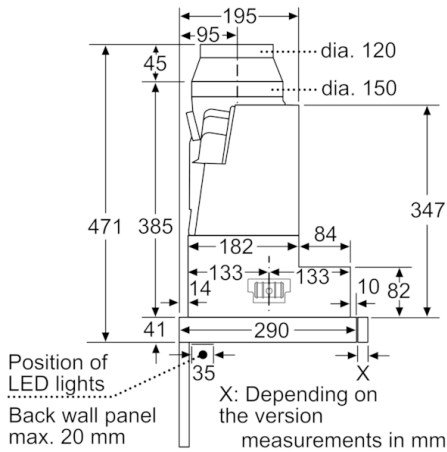
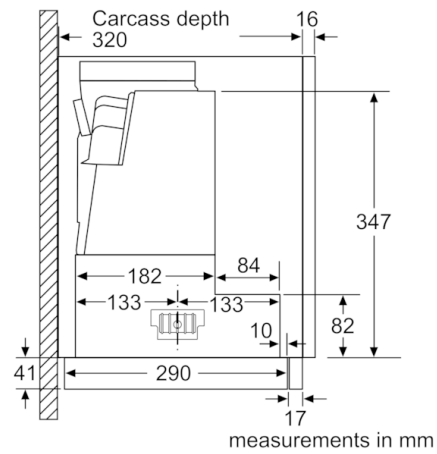
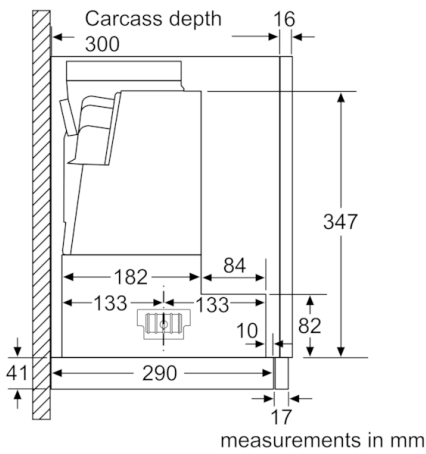
Performance

- Extraction rate according to EN 61591 \varnothing 15 cm: max. Normal use 399 m³/h Intensive 728 m³/h
- Extraction rate exhaust air according to EN 61591: max. 728 m³/h
- Noise min./max. Normal Level: 41/53 dB
- 2 high-performance fans, Efficient BLDC-technology
- Efficient BLDC-technology

Planning and installation information

- Easy installation system
- Appliance dimensions (HxWxD): 426 x 598 x 290 mm
- Built-in dimensions (HxWxD): 385 x 524 x 290 mm
- Diameter pipe \varnothing 150 mm (\varnothing 120 mm enclosed)
- Electrical cable length 1.75 m
- Accessories required for recirculation mode: CleanAir Module

Serie | 4, Slideout rangehood, 60 cm, Silver metallic
DFS067A51A



**Serie | 4, Slideout rangehood, 60 cm, Silver
metallic
DFS067A51A**

