

**Serie | 8, Built-In Fully Automatic  
Coffee Machine, Black  
CTL636EB6**



**Included accessories**

1 x assembly screws, 1 x scoop, 1 x test strip, 1 x milk container (insulated), 1 x connection hose for milk frother, 1 x milk pipe

**The built-in coffee center offers unparalleled variety with highest comfort.**

- **Intelligent Heater inside:** The sensoFlow System guarantees maximum espresso indulgence every time, thanks to its ideal, constant brewing temperature
- **OneTouch DoubleCup:** Your choice of espresso or milk drinks with a click – even two cups at once.
- **AromaDouble Shot:** Extra-strong coffee with less bitterness thanks to two grinding and brewing processes
- **steam blast:** A fully-automatic steam cleaning after every beverage takes complete care of the daily cleaning of the milk system
- **CeramDrive:** High-quality grinder made from non-wearing ceramic

**Technical Data**

Built-in / Free-standing :	Built-in
Frothing nozzle :	No
Display :	No
Water protection system :	No
Portion sizes :	All cups
Dimensions :	455 x 594 x 375
Dimensions of the packed product (HxWxD) (mm) :	540 x 478 x 670
Required niche size for installation (HxWxD) :	449 x 558 x 356
EAN code :	4242002916668
Electrical connection rating (W) :	1600
Current (A) :	10
Voltage (V) :	220-240
Frequency (Hz) :	50/60
Plug type :	Gardy plug w/ earthing



## Serie | 8, Built-In Fully Automatic Coffee Machine, Black CTL636EB6

**The built-in coffee center offers unparalleled variety with highest comfort.**

### Flavour

- Innovative SensoFlow heating system - Fast first cup
- One-touch preparation: Ristretto, Espresso, Espresso macchiato, Coffee, Cappuccino, Latte macchiato, Caffé Latte at the touch of a button
- AromaDoubleShot: Extra-strong coffee with less bitterness thanks to two grinding and brewing processes
- Beverage temperature individually adjustable: 3 coffee temperature levels, Hot water: 4 grades
- optional Brita water filter: Reduces the lime content of water and filters substances affecting smell and taste

### Convenience

- 4.1" TFT display with interactive menu
- MyCoffee: Save favourite beverages with individual names and adjustable mixing ratio of milk and espresso
- IndividualCupVolume: Cup sizes individually adjustable, to ensure your cup gets filled just as much as you would like it to (20-250 ml)
- Coffee outlet and milk frother height-adjustable: Up to 15 cm (max) high Latte Macchiato glasses fit underneath
- OneTouch DoubleCup: Prepare two cups simultaneously for all coffee and milk specialities
- Removable 2.4 litre water tank
- Early warning when bean container or water tank are close to empty
- Flexible milk solution: Decide for yourself if you prefer connecting the provided milk container or using any other container, e.g. a milk carton
- Short user manual always at hand inside appliance

### Performance

- SilentCeram Drive: High-value ceramic grinding unit
- coffeeSensor System: The grinding unit automatically adjusts to bean variety
- One-touch coffee milk specialities with especially fine-pored milk froth thanks to an innovative milk frother
- In addition to beverages also available separately: milk foam, warm milk, hot water
- Reduced heating-up time: fastest first cup!
- Water pump with 19 bar pressure
- Separate chute for pre-ground coffee
- 15.000 cup warranty: Consistently high appliance quality from the first cup to the 15,000th (valid for non-commercial use within 24 months)

### Hygiene

- Removable brewing unit: Easy and hygienic cleaning under running water
- steam blast: Fully-automatic steam cleaning of the milk system after every beverage
- All milk nozzle parts are easily removable, separable, easy to clean and dishwasher-proof
- singlePortion Cleaning: Complete emptying of all pipes after each brewing process
- Automatic rinsing program when switched on or off
- Removable drip tray with container for coffee dregs
- Fully automatic descaling & cleaning program (combined Calc'n'Clean program available)
- Temperature adjustment

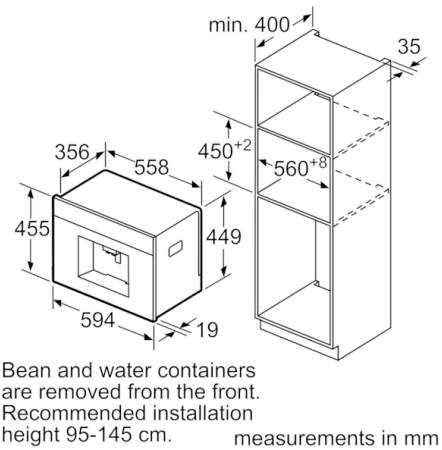
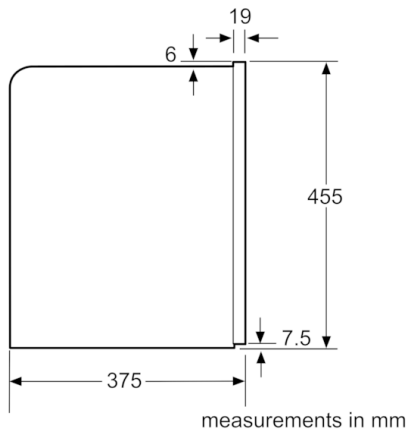
### Extras

- Containers for water, milk and coffee beans are easily accessible but hidden behind a door, so the kitchen always looks clean
- Bean container with aroma protection lid (500 g volume)
- Illumination for keys and coffee outlet
- Grinding fineness adjustable (multi-level)
- Convenient quick rinsing function
- Child-proof lock: key lock preventing unintended brewing cycle
- Power 1700 W

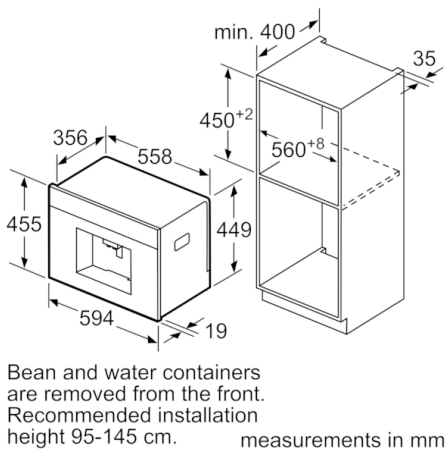
### Accessories

- Insulated milk container with FreshLock lid (0.5 l volume)
- Included accessories: scoop, milk container (insulated), milk pipe, assembly screws, test strip, connection hose for milk frother
- Separately available accessories: cleaning tablets (TCZ8001), descaling tablets (TCZ8002), BRITA Intenza water filter (TCZ7003), care set for fully-automatic espresso makers (TCZ8004), insulated milk container (TCZ8009N)

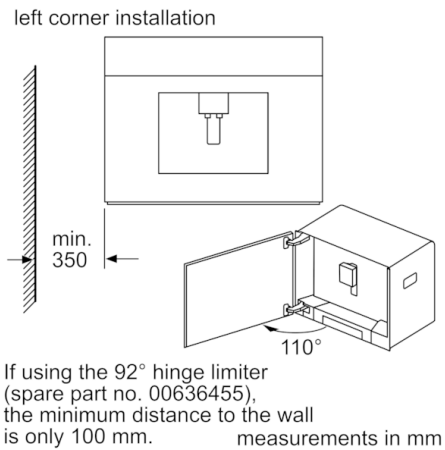
**Serie | 8, Built-In Fully Automatic Coffee Machine, Black CTL636EB6**



Bean and water containers are removed from the front. Recommended installation height 95-145 cm.



Bean and water containers are removed from the front. Recommended installation height 95-145 cm.



If using the 92° hinge limiter (spare part no. 00636455), the minimum distance to the wall is only 100 mm.

