

## iQ700, Built-in warming drawer, 60 x 29 cm, Stainless steel BI630DNS1B



- ✓ The handleless drawer is easy to open - push&pull function.
- ✓ The heated sheet admits a regulation in four temperature levels from 40°-80°C glass surface temperature

### Features

#### Technical Data

Built-in / Free-standing : Built-in  
 Color / Material Front : Black, Stainless steel  
 Maximum number of plates : 40  
 Maximum number of espresso cups : 192  
 Dimensions : 290 x 594 x 548  
 Dimensions of the packed product (HxWxD) (mm) : 350 x 640 x 660  
 Required niche size for installation (HxWxD) : 290 x 560 x 550 : 0.810  
 Electrical connection rating (W) : 810  
 Current (A) : 10  
 Voltage (V) : 220-240  
 Frequency (Hz) : 60; 50  
 Plug type : GB plug  
 Color / Material Front : Black, Stainless steel  
 Approval certificates : Australia Standards, CE, VDE  
 Required cutout/niche size for installation (in) : x x  
 Appliance Dimensions (h x w x d) (in) : x x  
 Dimensions of the packed product (in) : 13.77 x 25.19 x 25.98  
 Net weight (lbs) : 43.000  
 Gross weight (lbs) : 46.000  
 Length electrical supply cord (cm) : 150  
 Required niche size for installation (HxWxD) : 290 x 560 x 550  
 Dimensions : 290 x 594 x 548  
 Dimensions of the packed product (HxWxD) (mm) : 350 x 640 x 660  
 Net weight (kg) : 19.280  
 Gross weight (kg) : 20.9

### Optional accessories

HZ6WCC0



## iQ700, Built-in warming drawer, 60 x 29 cm, Stainless steel BI630DNS1B

### Features

#### Design

##### Convenience

- Rotary Control
- User-friendly electronics: extremely easy and comfortable operation
- Heating plate made of toughened glass
- Cavity volume: 52 l usable litres
- Max weight up to 25 kg
- Max. loading espresso cups: 192 PC or Max. loading plates: 40 PC
- Suitable for: Pre-warming of cockery, Keeping drinks and food warm, Dough proving, Defrosting, Slow cooking
- Temperature control with 4 levels: 40 °C - 80 °C (glass surface temperature)
- Handleless push&pull opening mechanism

##### Technical Info

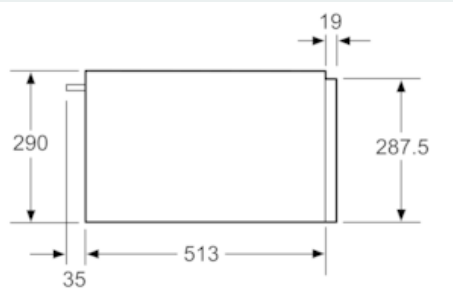
- Length of mains cable: 150 cm
- Total connected load electric: 0.81 KW
- Nominal voltage: 220 - 240 V

##### Dimensions

- Appliance dimensions (HxWxD): 290 mm x 594 mm x 548 mm
- Installation dimensions (HxWxD): 290 mm x 560 mm - 568 mm x 550 mm
- Please reference the built-in dimensions provided in the installation drawing

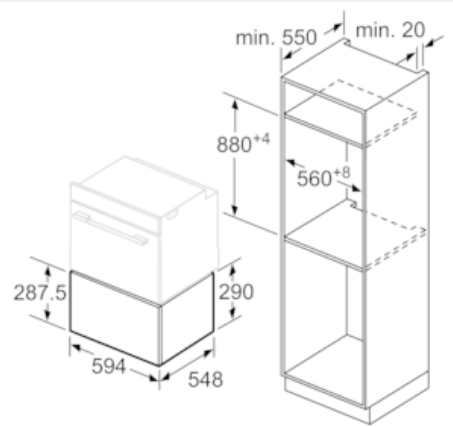
**iQ700, Built-in warming drawer, 60 x 29 cm, Stainless steel  
BI630DNS1B**

Dimensioned drawings



Ovens with an appliance height of 595 mm can be installed above a warming drawer. An intermediate floor is not required.

measurements in mm



measurements in mm