

iQ700, Built-in warming drawer, 60 x 14 cm, Black BI830CNB1B



The warming drawer is perfect for preheating crockery, for keeping foods warm and for gentle cooking.

- ✓ The handleless drawer is easy to open - push&pull function.
- ✓ The 14 cm high drawer is ideally combined with a 45 cm compact appliance.
- ✓ The heated sheet admits a regulation in four temperature levels from 40°-80°C glass surface temperature

Features

Technical Data

Built-in / Free-standing : Built-in
 Color / Material Front : Black
 Maximum number of plates : 12
 Maximum number of espresso cups : 64
 Dimensions : 140 x 594 x 548
 Dimensions of the packed product (HxWxD) (mm) : 210 x 660 x 660
 Required niche size for installation (HxWxD) : 140 x 560 x 550 : 0.810
 Electrical connection rating (W) : 810
 Current (A) : 10
 Voltage (V) : 220-240
 Frequency (Hz) : 60; 50
 Plug type : GB plug
 Color / Material Front : Black
 Approval certificates : Australia Standards, CE, VDE
 Required cutout/niche size for installation (in) : x x
 Appliance Dimensions (h x w x d) (in) : x x
 Dimensions of the packed product (in) : 8.26 x 25.98 x 25.98
 Net weight (lbs) : 36.000
 Gross weight (lbs) : 39.000
 Length electrical supply cord (cm) : 150
 Required niche size for installation (HxWxD) : 140 x 560 x 550
 Dimensions : 140 x 594 x 548
 Dimensions of the packed product (HxWxD) (mm) : 210 x 660 x 660
 Net weight (kg) : 16.340
 Gross weight (kg) : 17.5



**iQ700, Built-in warming drawer, 60 x
14 cm, Black
BI830CNB1B**

Features

- Heating plate made of toughened glass
- Temperature control with 4 levels: 40 °C - 80 °C (glass surface temperature)

Convenience

- Max weight up to 25 kg
- Max. loading espresso cups: 64 PC or Max. loading plates: 12 PC

Technical Info

- Length of mains cable: 150 cm
- Appliance dimensions (HxWxD): 140 mm x 594 mm x 548 mm
- Installation dimensions (HxWxD): 140 mm x 560 mm - 568 mm x 550 mm

Design

- Black Steel Design
- Rotary Control
- User-friendly electronics: extremely
- easy and comfortable operation
- Cavity volume: 20 l usable litres
- Suitable for: Pre-warming of cockery, Keeping drinks and food warm, Dough proving, Defrosting, Slow cooking
- Handleless push&pull opening mechanism

Safety and Environment

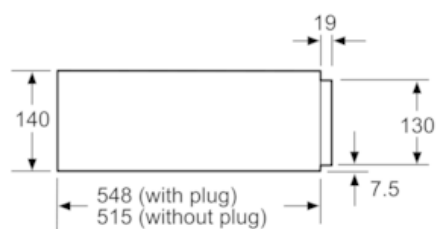
- Door contact switch
-
- Total connected load electric: 0.81 KW
- Nominal voltage: 220 - 240 V

Dimensions

- Please reference the built-in dimensions provided in the installation drawing

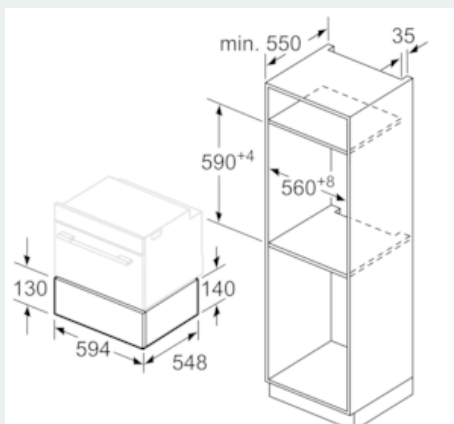
**iQ700, Built-in warming drawer, 60 x
14 cm, Black
BI830CNB1B**

Dimensioned drawings



Compact ovens with an appliance height of 455 mm can be installed above a warming drawer. An intermediate floor is not required.

measurements in mm



measurements in mm