

60cm telescopic rangehood with push button controls, MaxiFlow technology and 2 LED lights
RRP AUS \$899.00



Product Details

FEATURES

Telescopic rangehood

Push/Pull opening mechanism for stylish integration into your kitchen

LED lights

Dishwasher safe stainless steel micromesh filters

BENEFITS

Telescopic Rangehood

Once installed into a 60cm cupboard this rangehood extends to give a greater catchment and extraction area. When not in use the slide out filter can be retracted for a flush, slimline finish.

Specifications

PRODUCT PROFILE

Domestic warranty details (yrs)	5
Type of Rangehood	telescopic
Nominal width	60
Finish of Rangehood	stainless steel

DIMENSIONS

Total product height (mm)	396
Total product width (mm)	598
Total product depth (mm)	280

MOTOR/FAN

Number of fans	2
Number of fans speeds	3
Auto off	No
Type of motor	centrifugal
Perimeter extraction	No
Maximum airflow M3/Hr	600
Noise level dB high	65
Noise level dB low	49
Number of motors	1

CONTROLS

Control panel	push button
Removal front fascia	Yes
Hob2Hood function	No

DIMENSIONS

Diameter of ducting (mm)	150
Minimum installation height from cooking surface Gas (mm)	650
Minimum installation height from cooking surface Electric (mm)	600

FILTERS

Number of filters	2
Type of filter	stainless steel micromesh
Dishwasher safe	Yes

DUCTING / RECIRCULATION

Ducting	optional accessory
Top or rear duct hole	top
Recirculation option	Yes
Front recirculating option	No

CONTROLS

Remote control	No
----------------	----

LIGHTS

Number of lights	2
Wattage of light	2
Type of light	LED

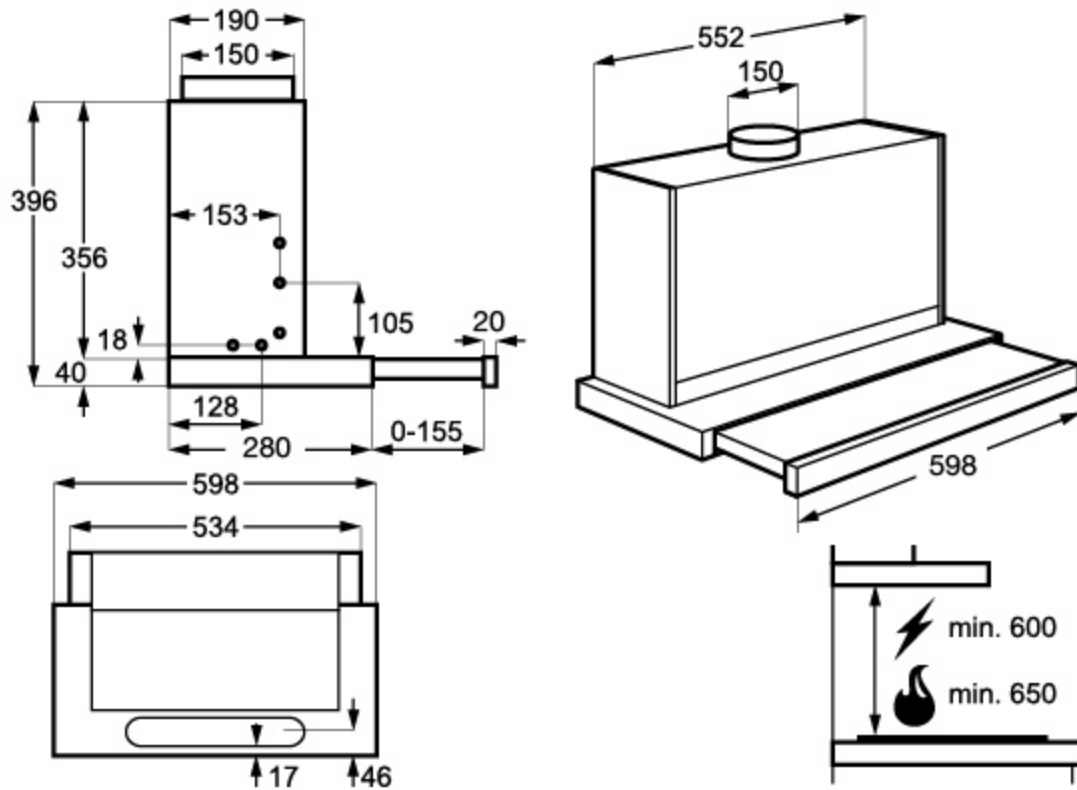
SHIPPING

Shipping Weight (Kg)	14.35
Product Weight (Kg)	12.50
Pack Dimensions Height (mm)	515
Pack Dimension Width (mm)	685

SHIPPING

Pack Dimension Depth (mm)	395
------------------------------	-----

Dimensions



IMPORTANT

These dimensions are a guide only. All measurements are in millimetres (mm).
For complete installation instructions, refer to the manual provided with product.

Terms and Conditions

IMPORTANT

This is a guide of product dimensions only. For complete installation instructions, refer to the manual provided with product.

PRODUCT INFORMATION

The descriptors and illustrations in this publication apply to the specific products and models described as at the date of issue. Under our policy of continuous product development, product specifications may change without notice. Prospective purchasers should therefore check with their retailer to ensure this publication correctly describes the products that are being offered for sale. All information supplied is to be used for general reference purposes only and is on the understanding that Electrolux Home Products Pty Ltd (Australia) and Electrolux (NZ) Ltd (New Zealand) will not be liable for any loss, liability or damage of whatever kind arising as a result of reliance on such information. Colours of products illustrated are as close as printing limitations allow. Electrolux will at all times comply with its obligations pursuant to law including Trade Practices (Australian Consumer Law) Act and Regulations.

WARRANTY

Electrolux Home Products warrants that for domestic applications the AEG appliances featured are free from defects in materials and workmanship for 5 years (3 months warranty for commercial applications). All warranties are subject to the conditions set out in the warranty card accompanying the product when purchased.

ELECTROLUX HOME PRODUCTS AUSTRALIA

telephone: 1300 363 664

fax: 1800 350 067

email: customercare@aegaustralia.com.au

web: www.aeg.com/au

ELECTROLUX HOME PRODUCTS NEW ZEALAND

telephone: 0800 10 66 10

fax: 09 573 2221

email: customercare@electrolux.co.nz

web: www.aeg.com/au