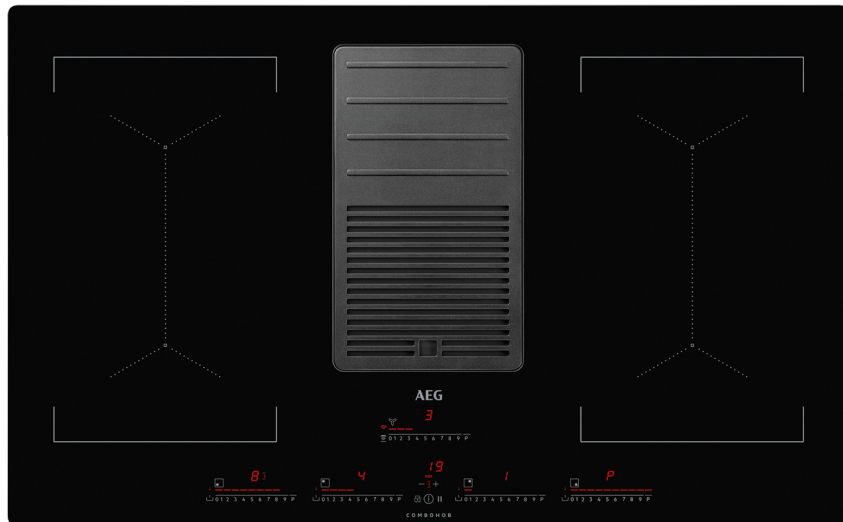


83cm induction cooktop with integrated hood, 2 bridging zones, touch slide control and Hob2Hood.
RRP AUS \$5,999.00



Product Details

FEATURES

Extraction fan and induction cooktop in one

MultiBridge

Hob2Hood

Direct Touch control

Easy Clean

Auto Heat-up Function

Pause Function

Function control lock

Grease filters

BENEFITS

COOKING AND EXTRACTION IN ONE.

ComboHob, an extraction fan and powerful induction cooktop in one, presents the ultimate in cooktop convenience. Form follows function to create a modern, minimal cooktop that will optimise kitchen design options.

AUTOMATED EXTRACTION.

With clever Hob2Hood technology, the hood's fans will adjust themselves accordingly as you turn the heat up or down. With automatic extraction you can concentrate on cooking without any distraction.

LARGE MEALS COOKED AT ONCE

Elevate the way you entertain while reducing dinner-party stress levels. Use the MultiBridge function to customize your cooktop when cooking multiple dishes or generous portions. It will rise to the occasion with automatic power alignment, even heat distribution and ability to accommodate large pots and pans.

TEMPERATURE AND EXTRACTION. CONTROLLED AT A TOUCH

Control the temperature and extraction settings precisely with the Induction Direct Touch Controls. Each zone of the ComboHob has an individual power control for a clear overview and easy way of changing the heat and extraction settings.

EASY CLEAN. FOR SIMPLE MAINTENANCE

For cleaning convenience, the extraction grid in the centre of the ComboHob is completely removable. This provides easy access to the aluminium grease filter and high efficiency odour filter to make light work of maintenance and to ensure continued performance.

Specifications

PRODUCT PROFILE

Domestic warranty details (yrs)	5
Cooktop type	induction
Materials/Colour	black ceramic glass

DIMENSIONS

Total product width (mm)	830
Total product depth (mm)	510
Cut out width (mm)	805
Cut out depth (mm)	490
Cut out height (mm)	210

CONTROLS

Controls of Cooktops	Touch and Slide controls
Position of controls	front
Functions of Cooktops	automatic switch off,acoustic signal,booster,Hob2Hood,timer,pause,Bridging,Keep warm function,auto heat up
Indicators/display	fault indicator,residual heat warning lamps
Features of Cooktop	minute minder,function lock,sound off,Hob2Hood Connectivity,auto pot sensors
Timer of Cooktop	Minute minder,countdown

ELEMENTS/BURNERS

LEFT FRONT ZONE

Left front zone	Bridge
Left front Watts	2100
Left front boost watts	3000
Left front diameter mm	210

LEFT REAR ZONE

Left rear zone	Bridge
Left rear watts	2100
Left rear diameter mm	210

RIGHT REAR ZONE

Right rear zone	Bridge
Right rear watts	2100
Right rear diameter mm	210

SHIPPING

Shipping Volume (m3)	0.398
Shipping Weight (Kg)	33.4
Pack Dimensions Height (mm)	688
Pack Dimension Width (mm)	935
Pack Dimension Depth (mm)	619

RIGHT FRONT ZONE

Right front zone	Bridge
Right front Watts	2100
Right front diameter mm	210

ELECTRICAL SPECIFICATIONS

Connected load KW	7.4
Type of connection	hardwired

OTHER FEATURES

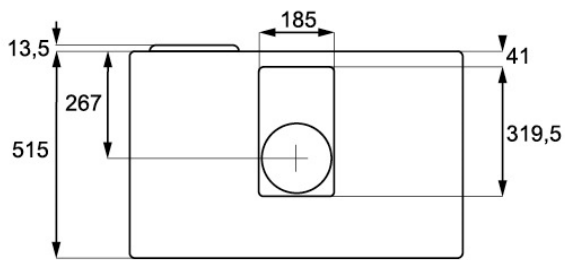
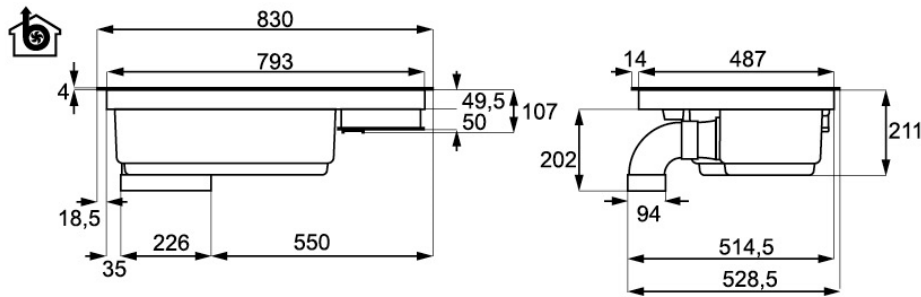
Integrated extractor	Yes
Hob2Hood	Yes
Timer	Yes
Filter type	aluminium mesh filter,dishwasher safe
Filter indicator	Yes
Motor type	brushless

OTHER FEATURES

Recirculation max (m3/h) 630

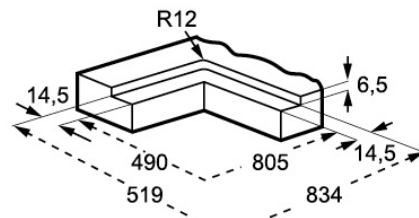
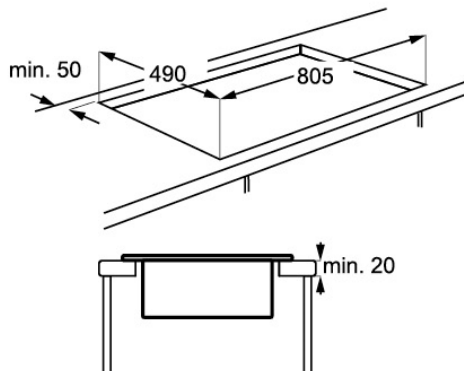
Recirc sound power dB(A) 71

Dimensions



IMPORTANT

These dimensions are a guide only.
All measurements are in millimetres (mm).
For complete installation instructions, refer to the manual provided with product.



Terms and Conditions

IMPORTANT

This is a guide of product dimensions only. For complete installation instructions, refer to the manual provided with product.

PRODUCT INFORMATION

The descriptors and illustrations in this publication apply to the specific products and models described as at the date of issue. Under our policy of continuous product development, product specifications may change without notice. Prospective purchasers should therefore check with their retailer to ensure this publication correctly describes the products that are being offered for sale. All information supplied is to be used for general reference purposes only and is on the understanding that Electrolux Home Products Pty Ltd (Australia) and Electrolux (NZ) Ltd (New Zealand) will not be liable for any loss, liability or damage of whatever kind arising as a result of reliance on such information. Colours of products illustrated are as close as printing limitations allow. Electrolux will at all times comply with its obligations pursuant to law including Trade Practices (Australian Consumer Law) Act and Regulations.

WARRANTY

Electrolux Home Products warrants that for domestic applications the AEG appliances featured are free from defects in materials and workmanship for 5 years (3 months warranty for commercial applications). All warranties are subject to the conditions set out in the warranty card accompanying the product when purchased.

ELECTROLUX HOME PRODUCTS AUSTRALIA

telephone: 1300 363 664

fax: 1800 350 067

email: customercare@aegaustralia.com.au

web: www.aeg.com/au

ELECTROLUX HOME PRODUCTS NEW ZEALAND

telephone: 0800 10 66 10

fax: 09 573 2221

email: customercare@electrolux.co.nz

web: www.aeg.com/au