

**60cm SenseFry induction cooktop, TFT touchscreen, FlexiBridge with ProCook function and Hob2Hood.**  
RRP AUS \$3,599.00



## Product Details

### FEATURES

---

SenseFry Assisted Cooking	Hob2Hood	ProCook function	FlexiBridge function
---------------------------	----------	------------------	----------------------

---

TFT Display	<p>OptiHeat™ control</p> <p>The OptiHeat™ control helps you make the most efficient use of residual heat. It advises 3 levels of residual heat whether the heat zone is still hot enough to cook with, hot enough to keep food warm, or simply hot to touch.</p>	Pause Function	Oko timer
-------------	--	----------------	-----------

---

Minute Minder	Function control lock		
---------------	-----------------------	--	--

---

### BENEFITS

**RESULTS. WITHOUT THE GUESSWORK WITH SENSEFRY**  
 Use the intelligent touchscreen on the SenseFry induction cooktop to select the food and desired result. The technology maintains an even heat to deliver perfectly fried food. No need to adjust the temperature during cooking. And no more guessing when the pan is at the right temperature.

**VERSATILITY FOR EVERY PURPOSE**  
 Preparing many dishes simultaneously, or cooking for a dinner party? FlexiBridge is designed for those occasions when you need more options, less stress and, of course, impressive results. The FlexiBridge feature means you can customize your cooking area, combining up to four segments with consistent, even heat distribution. It accommodates large or long pans and ideal for when cooking several dishes together that need extra space.

**ProCook**  
 At the touch of a button, the FlexiBridge cooking zone switches to three pre-set temperature levels: high, medium and low so you can simply move the pan to seamlessly go from boil to simmer.

**COOK WITHOUT DISTRACTIONS**  
 The handy Hob2Hood feature automatically controls the hood's fan and lights. This saves you getting distracted trying to regulate the fan when you're focused on frying, sautéing, simmering or steaming your dishes on the cooktop. If you'd rather adjust the fan speed yourself, there are manual controls, too. Because this cooktop is flexible like that.

## ONE TOUCHSCREEN. TOTAL CONTROL OVER COOKING

The single, full colour touchscreen gives you complete control over the entire cooktop. Monitor live feedback for each zone and tailor the settings to your recipe repertoire. It's an intuitive way to finesse the way you cook with just a touch.

---

## Specifications

### PRODUCT PROFILE

Domestic warranty details (yrs)	5
Cooktop type	induction
Materials/Colour	black ceramic glass
Trim finish	bevelled sides only

### DIMENSIONS

Total product width (mm)	590
Total product depth (mm)	520
Cut out width (mm)	560
Cut out depth (mm)	490
Cut out height (mm)	44

### CONTROLS

Controls of Cooktops	TFT Touchscreen
Position of controls	front
Functions of Cooktops	automatic switch off, FlexiBridge, acoustic signal, booster, Hob2Hood, timer, pause, ProCook, PowerSlide
Indicators/display	fault indicator, 3 level residual heat indicator
Features of Cooktop	minute minder, function lock, sound off, Hob2Hood Connectivity, FlexiBridge zone, snap in fastening system, automatic pan sensing
Timer of Cooktop	Oko timer, Minute minder, CountUp

### ELEMENTS/BURNERS

#### LEFT FRONT ZONE

Left front zone	FlexiBridge
Left front Watts	2300
Left front boost watts	3200
Left front diameter mm	220

## LEFT REAR ZONE

---

Left rear zone	FlexiBridge
Left rear watts	2300
Left rear diameter mm	220

---

## RIGHT REAR ZONE

---

Right rear zone	induction
Right rear watts	1800
Right rear diameter mm	180

---

## SHIPPING

---

Shipping Volume (m3)	0.048
Shipping Weight (Kg)	12.3
Pack Dimensions Height (mm)	118
Pack Dimension Width (mm)	678
Pack Dimension Depth (mm)	600

---

## RIGHT FRONT ZONE

---

Right front zone	induction
Right front Watts	1400
Right front diameter mm	145

---

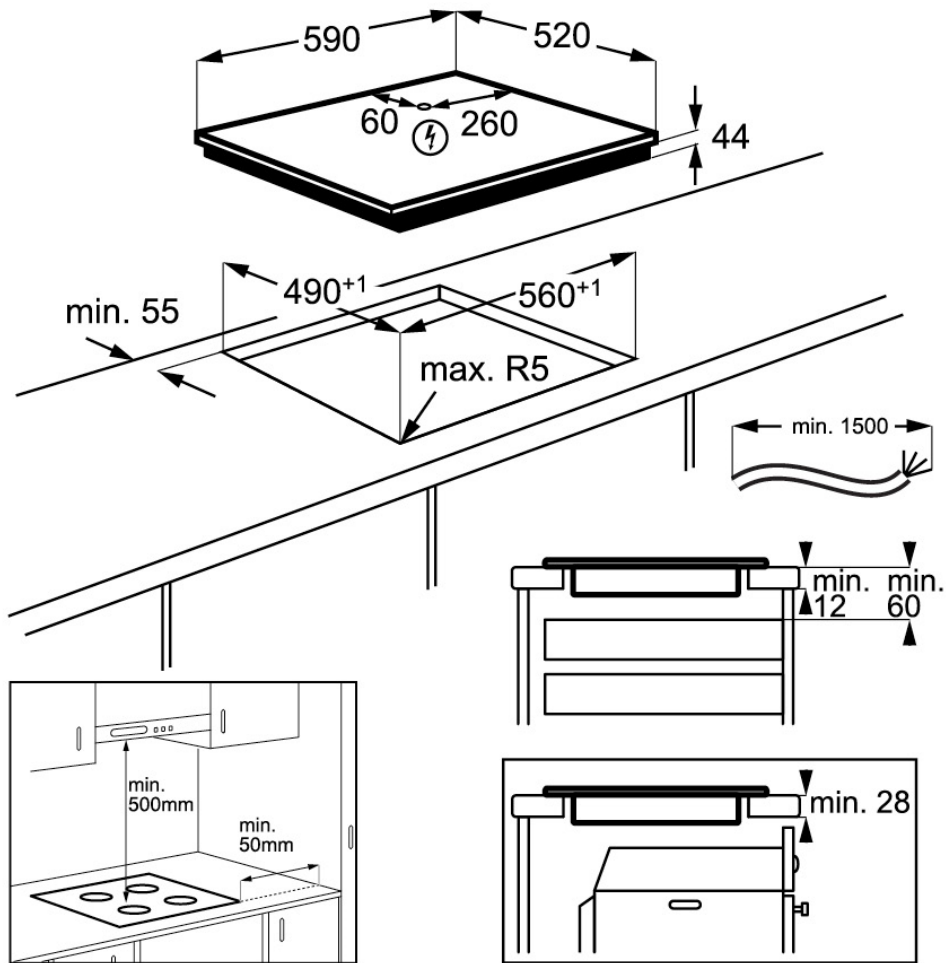
## ELECTRICAL SPECIFICATIONS

---

Connected load KW	7.4
Type of connection	hardwired

---

## Dimensions



**IMPORTANT**

These dimensions are a guide only. All measurements are in millimetres (mm).  
For complete installation instructions, refer to the manual provided with product.

## Terms and Conditions

### IMPORTANT

This is a guide of product dimensions only. For complete installation instructions, refer to the manual provided with product.

### PRODUCT INFORMATION

The descriptors and illustrations in this publication apply to the specific products and models described as at the date of issue. Under our policy of continuous product development, product specifications may change without notice. Prospective purchasers should therefore check with their retailer to ensure this publication correctly describes the products that are being offered for sale. All information supplied is to be used for general reference purposes only and is on the understanding that Electrolux Home Products Pty Ltd (Australia) and Electrolux (NZ) Ltd (New Zealand) will not be liable for any loss, liability or damage of whatever kind arising as a result of reliance on such information. Colours of products illustrated are as close as printing limitations allow. Electrolux will at all times comply with its obligations pursuant to law including Trade Practices (Australian Consumer Law) Act and Regulations.

### WARRANTY

Electrolux Home Products warrants that for domestic applications the AEG appliances featured are free from defects in materials and workmanship for 5 years (3 months warranty for commercial applications). All warranties are subject to the conditions set out in the warranty card accompanying the product when purchased.

#### ELECTROLUX HOME PRODUCTS AUSTRALIA

telephone: 1300 363 664

fax: 1800 350 067

email: [customercare@aegaustralia.com.au](mailto:customercare@aegaustralia.com.au)

web: [www.aeg.com/au](http://www.aeg.com/au)

#### ELECTROLUX HOME PRODUCTS NEW ZEALAND

telephone: 0800 10 66 10

fax: 09 573 2221

email: [customercare@electrolux.co.nz](mailto:customercare@electrolux.co.nz)

web: [www.aeg.com/au](http://www.aeg.com/au)