

46cm built-in microwave with grill, Quickstart function, automatic weight cooking and defrost programs, under-counter installation approved and function control lock.

RRP AUS \$1,799.00



Product Details

FEATURES

IsoFront™ - A genuine cooler door	SoftMotion™ hinges	Anti-fingerprint stainless steel	Accessories included
-----------------------------------	--------------------	----------------------------------	----------------------

Quick start function	Function control lock	Automatic weight defrost program	Automatic weight cook program
----------------------	-----------------------	----------------------------------	-------------------------------

Active display control	One touch cook program	Cook to perfection
------------------------	------------------------	--------------------

BENEFITS

Quick Start
By pressing the start button you can activate the 30 seconds program and get 30 seconds of cooking at a high power level.

Automatic weight defrost program
The total defrost time is automatically calculated by allocating variable defrost power levels at each stage of the defrost cycle.

Function control lock
This child safety feature allows you to lock the control panel and oven door.

Specifications

PRODUCT PROFILE

Domestic warranty details (yrs)	5
Type of Microwave	combination grill
Under-counter installation	Yes

DIMENSIONS

PRODUCT

Total height (mm)	459
Total width (mm)	596
Total depth (mm)	404

CONTROLS

Controls	electronic rotary dial
----------	------------------------

EXTERIOR

PROGRAMS

PROGRAM OPTIONS

Number of Programmed functions	9
--------------------------------	---

INTERNAL

Turntable diameter (mm)	325
-------------------------	-----

TIMER

Type of timer	programmable timer
---------------	--------------------

INTERIOR

EXTERIOR

Type	built in
------	----------

Fascia material/Colour	anti fingerprint stainless steel
------------------------	----------------------------------

POWER

Power Connection	10 amp plug and cord
------------------	----------------------

Microwave power watts	900
-----------------------	-----

Variable power level	6
----------------------	---

Grill power watts	1000
-------------------	------

INTERIOR

Grill	radiant
-------	---------

Capacity (litres)	26
-------------------	----

SHIPPING

Shipping Volume (m3)	0.185
----------------------	-------

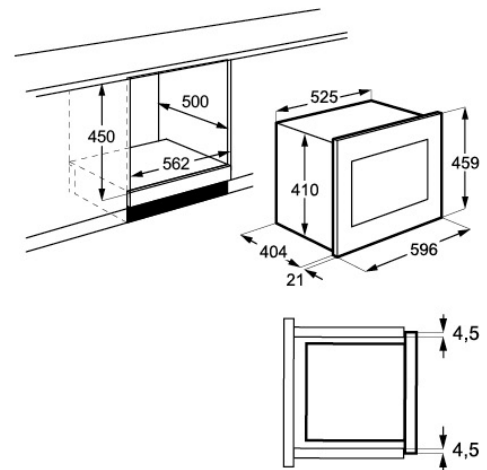
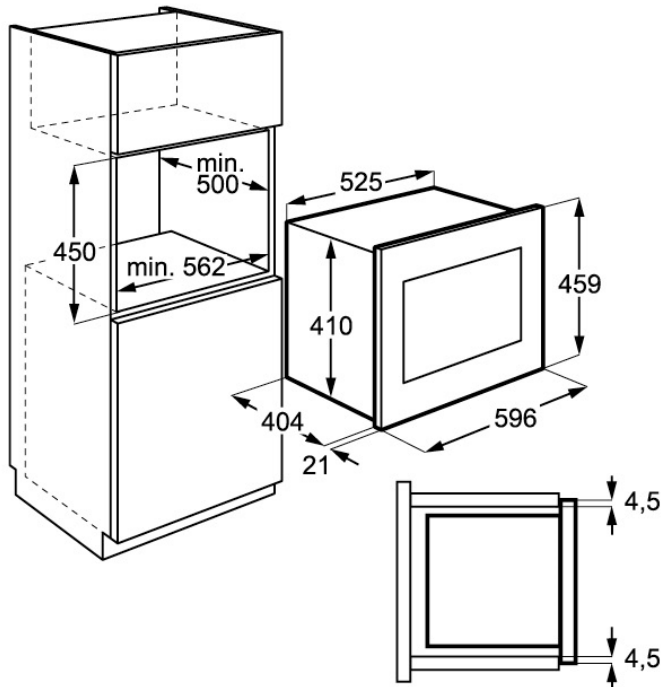
Shipping Weight (Kg)	21.5
----------------------	------

Pack Dimensions Height (mm)	525
-----------------------------	-----

Pack Dimension Width (mm)	660
---------------------------	-----

Pack Dimension Depth (mm)	535
---------------------------	-----

Dimensions



IMPORTANT

These dimensions are a guide only. All measurements are in millimetres (mm). For complete installation instructions, refer to the manual provided with product.

Terms and Conditions

IMPORTANT

This is a guide of product dimensions only. For complete installation instructions, refer to the manual provided with product.

PRODUCT INFORMATION

The descriptors and illustrations in this publication apply to the specific products and models described as at the date of issue. Under our policy of continuous product development, product specifications may change without notice. Prospective purchasers should therefore check with their retailer to ensure this publication correctly describes the products that are being offered for sale. All information supplied is to be used for general reference purposes only and is on the understanding that Electrolux Home Products Pty Ltd (Australia) and Electrolux (NZ) Ltd (New Zealand) will not be liable for any loss, liability or damage of whatever kind arising as a result of reliance on such information. Colours of products illustrated are as close as printing limitations allow. Electrolux will at all times comply with its obligations pursuant to law including Trade Practices (Australian Consumer Law) Act and Regulations.

WARRANTY

Electrolux Home Products warrants that for domestic applications the AEG appliances featured are free from defects in materials and workmanship for 5 years (3 months warranty for commercial applications). All warranties are subject to the conditions set out in the warranty card accompanying the product when purchased.

ELECTROLUX HOME PRODUCTS AUSTRALIA

telephone: 1300 363 664

fax: 1800 350 067

email: customercare@aegaustralia.com.au

web: www.aeg.com/au

ELECTROLUX HOME PRODUCTS NEW ZEALAND

telephone: 0800 10 66 10

fax: 09 573 2221

email: customercare@electrolux.co.nz

web: www.aeg.com/au