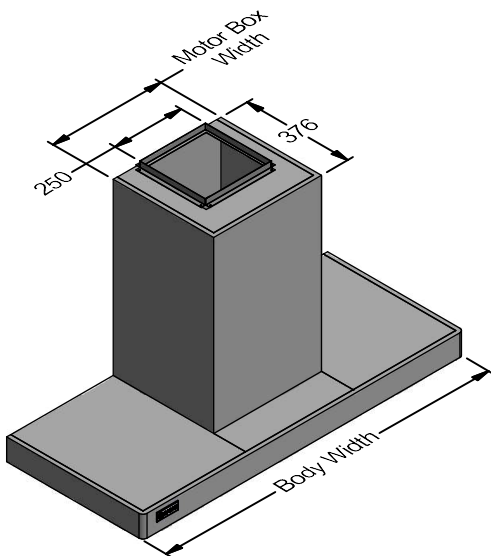
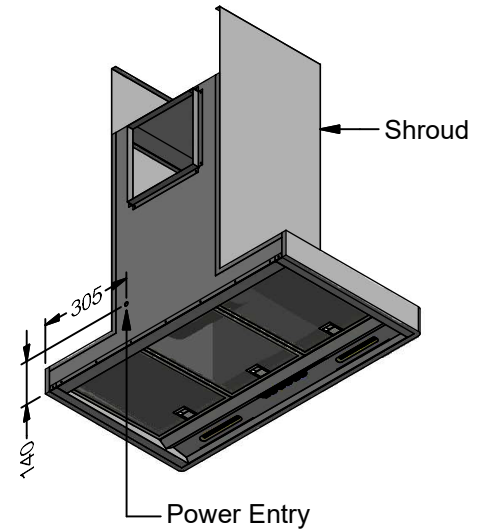
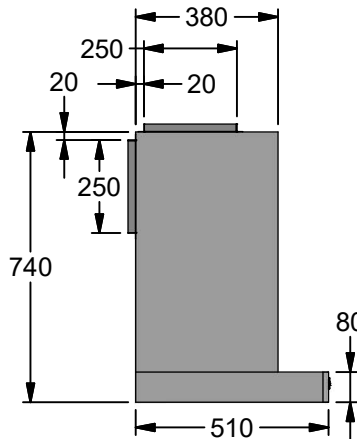
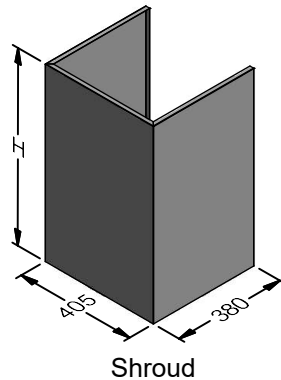


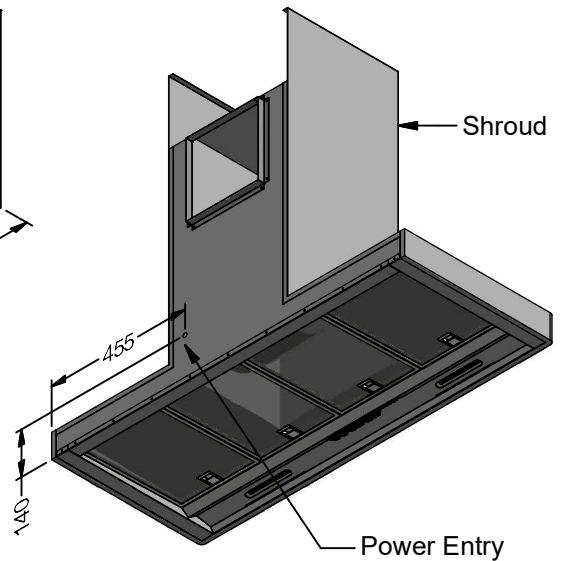
STA 900L-2 shown without shroud.



STA 1200L-2 shown without shroud.



Shroud



Rangehood is manufactured as top duct only. A conversion kit for back ducted is supplied.

Model	STA 900L-2	STA 1200L-2	Model	STA 900L-2	STA 1200L-2
Body Width	900mm	1200mm	Filter Size	272mm x 355mm	272mm x 355mm
Motor Box / Flue Width	403mm	403mm	Conversion Top/Back Back/Top	YES	YES
Motor Qty	2	2	Electrical Connection	Junction Box	Junction Box
LED Light	Cool	Cool	Minimum Height (H =)	660mm	660mm
Nightlight	YES	YES	Maximum Height (H =)	1470mm	1470mm
Light Qty	2	2	PowderKote® Available	YES	YES
Light Centres	510mm	648mm	All-thread Fixing Centres	N/A	N/A
Filter Qty	3	4	Corner Type	Round	Round
			Condari Pty Ltd.	Version: F 30/05/2017F Page 2 of 2	