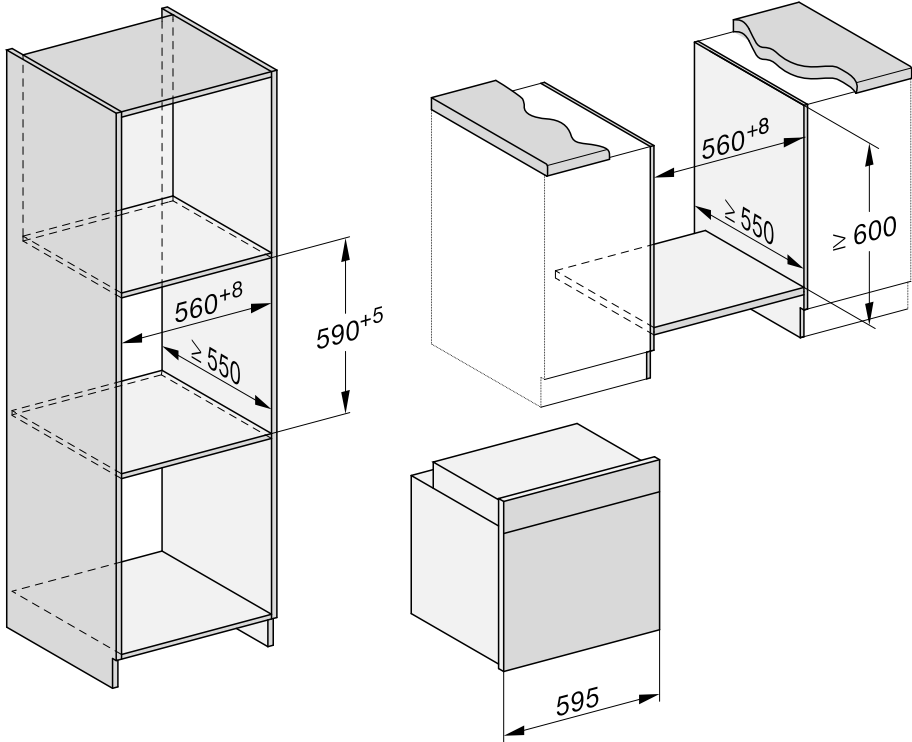


Building-in dimensions

Dimensions are given in mm.

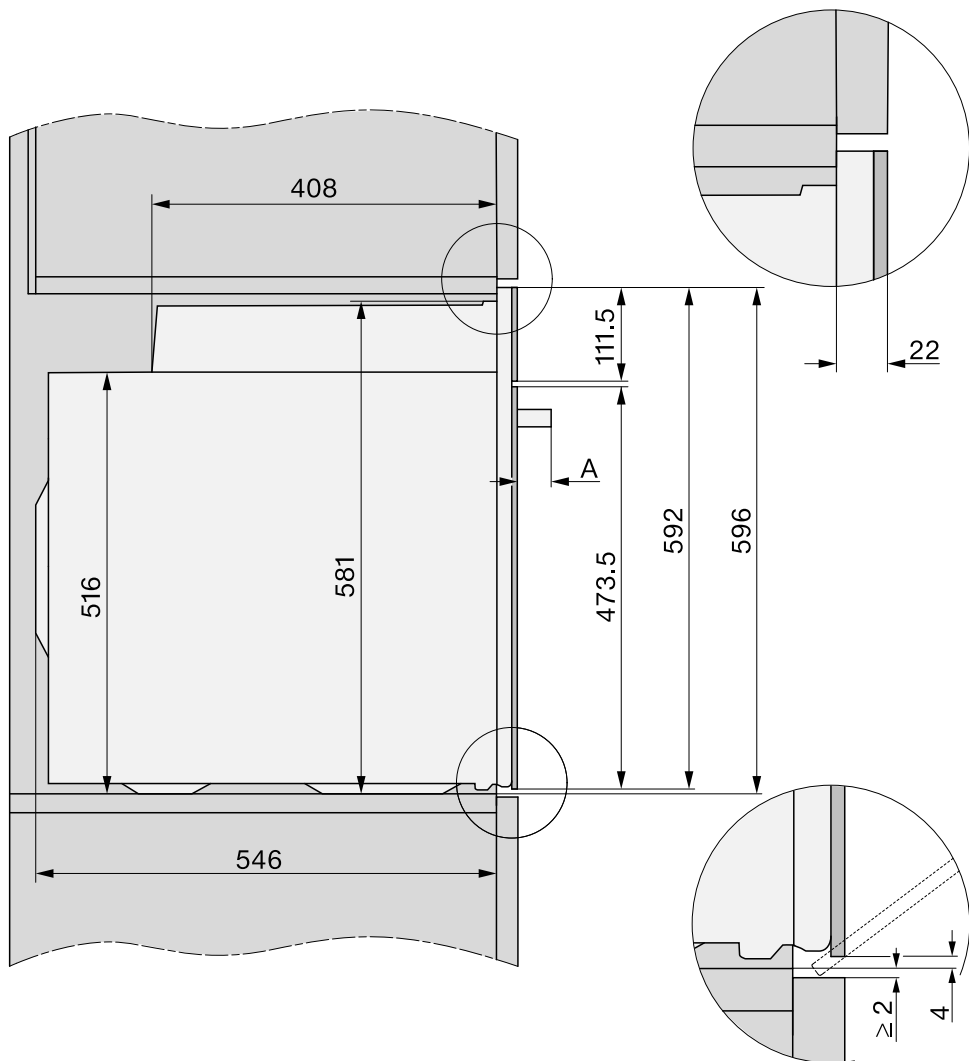
Installation in a tall or base unit

When building the oven into a base unit underneath a cooktop, please also observe the installation instructions for the cooktop as well as the building-in height required for the cooktop.



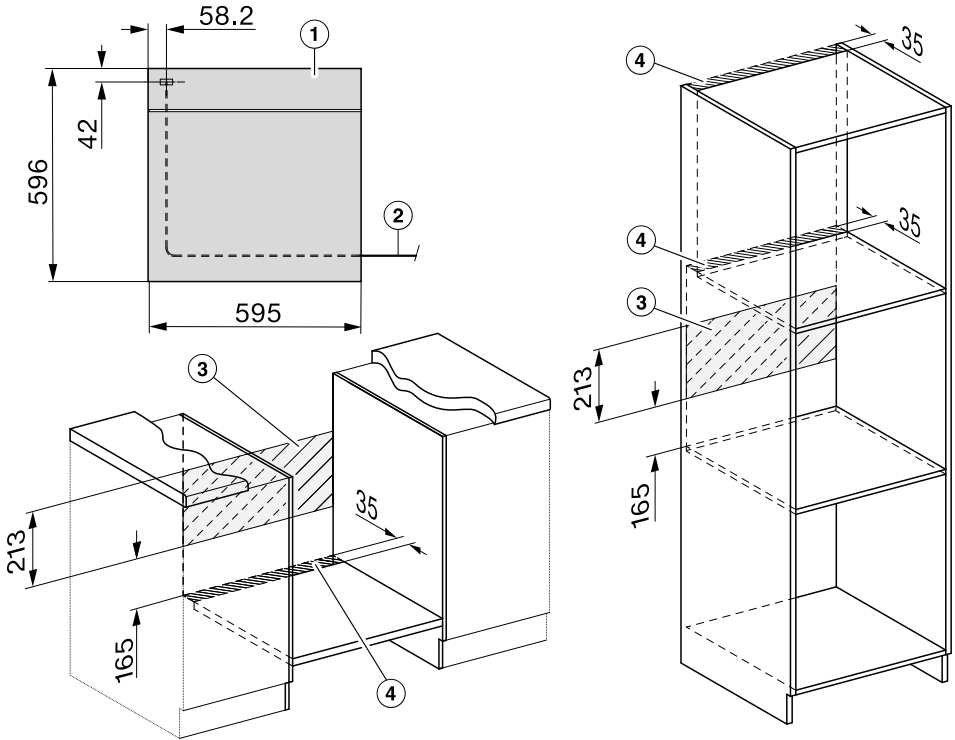
Installation

Side view



A H 78xx: 47 mm

Connections and ventilation



- ① Front view
- ② Mains connection cable, length = 1,500 mm
- ③ No connections permitted in this area
- ④ Ventilation cut-out, min. 150 cm²