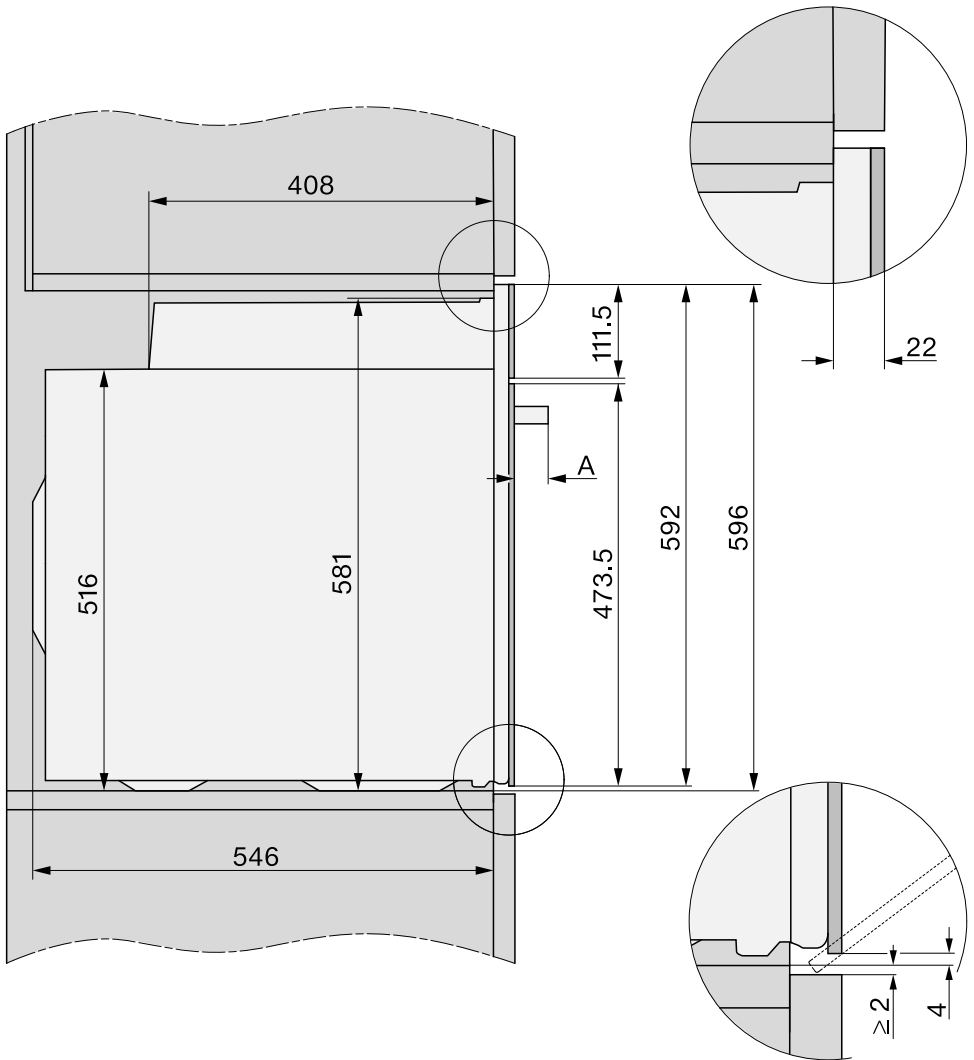


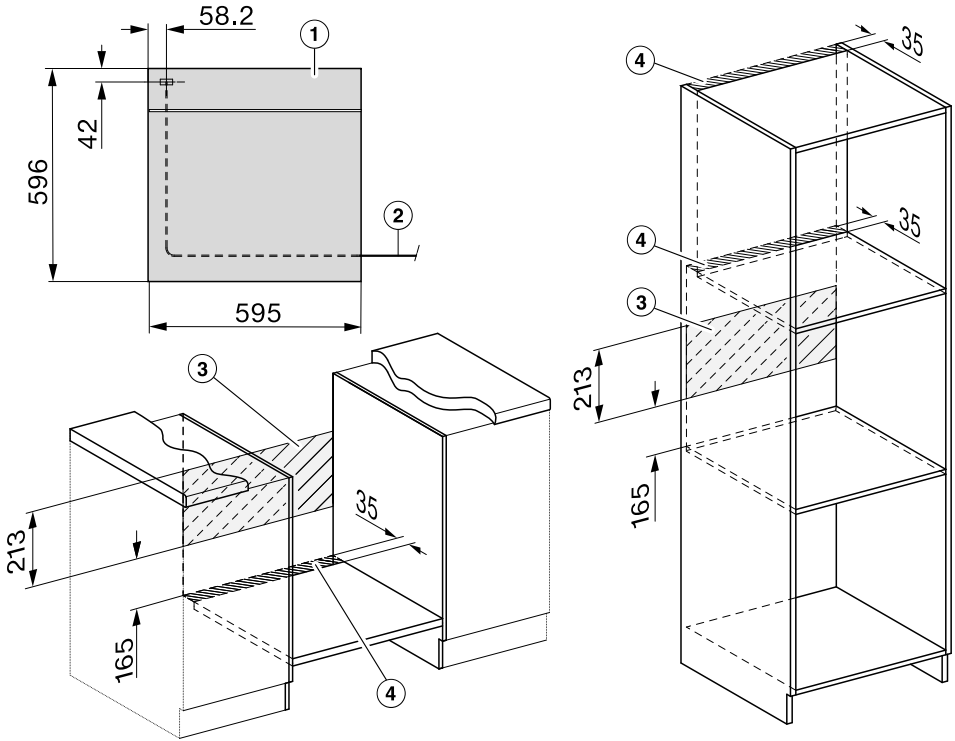
## Side view H 25xx, H 27xx, H 28xx



- A** H 25xx, H 27xx: 43 mm  
H 28xx: 47 mm

# Installation

## Connections and ventilation



- ① Front view
- ② Mains connection cable, length = 1,500 mm
- ③ No connections permitted in this area
- ④ Ventilation cut-out, min. 150 cm<sup>2</sup>