

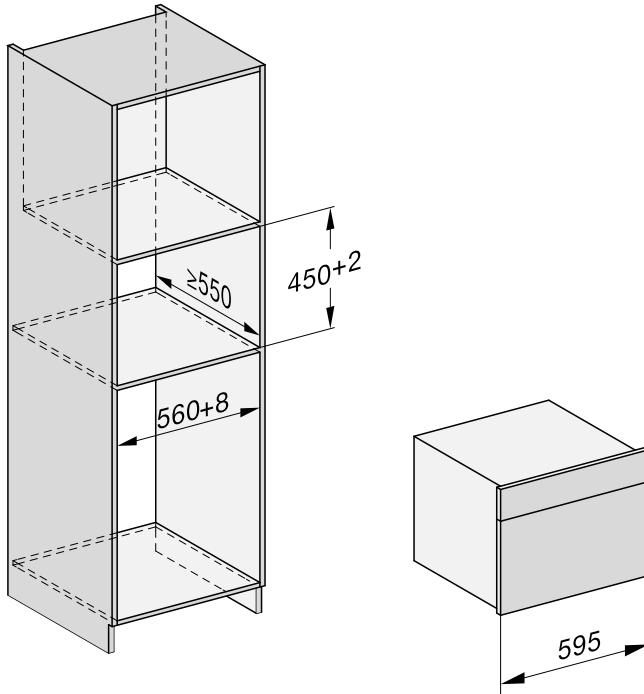
Installation

Building-in dimensions

All dimensions are given in mm.

Installation in a tall unit

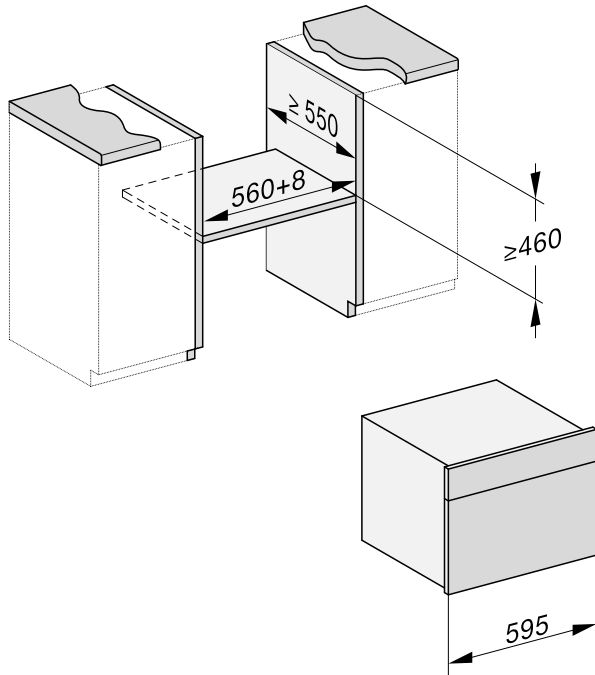
The furniture housing unit must not have a back panel fitted behind the building-in niche.



Installation in a base unit

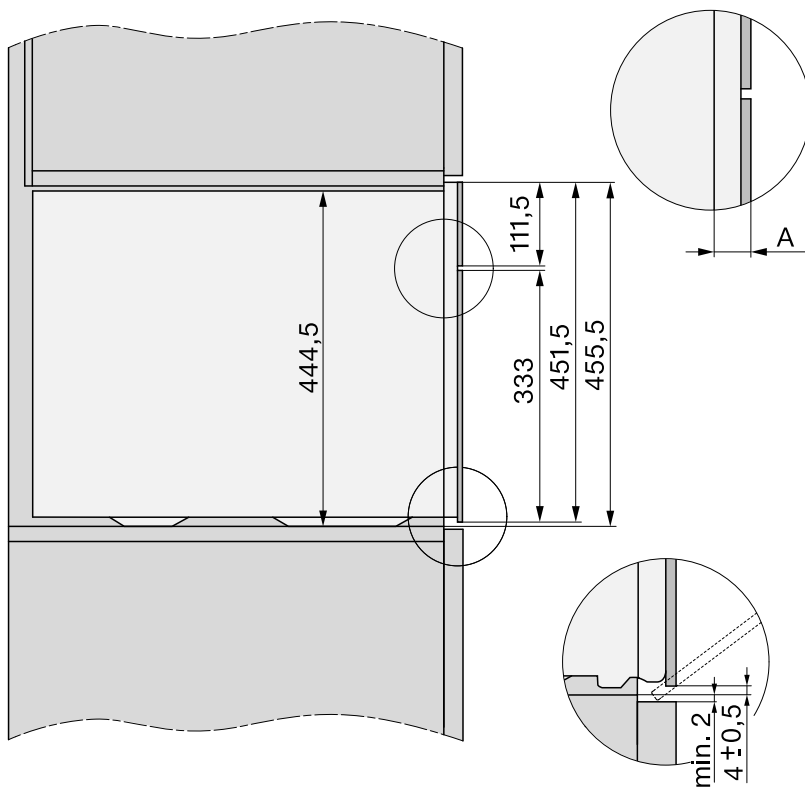
The furniture housing unit must not have a back panel fitted behind the building-in niche.

If the steam oven is to be installed in a base unit underneath an electric or induction cooktop, please also observe the installation instructions for the cooktop as well as the building-in height required for the cooktop.



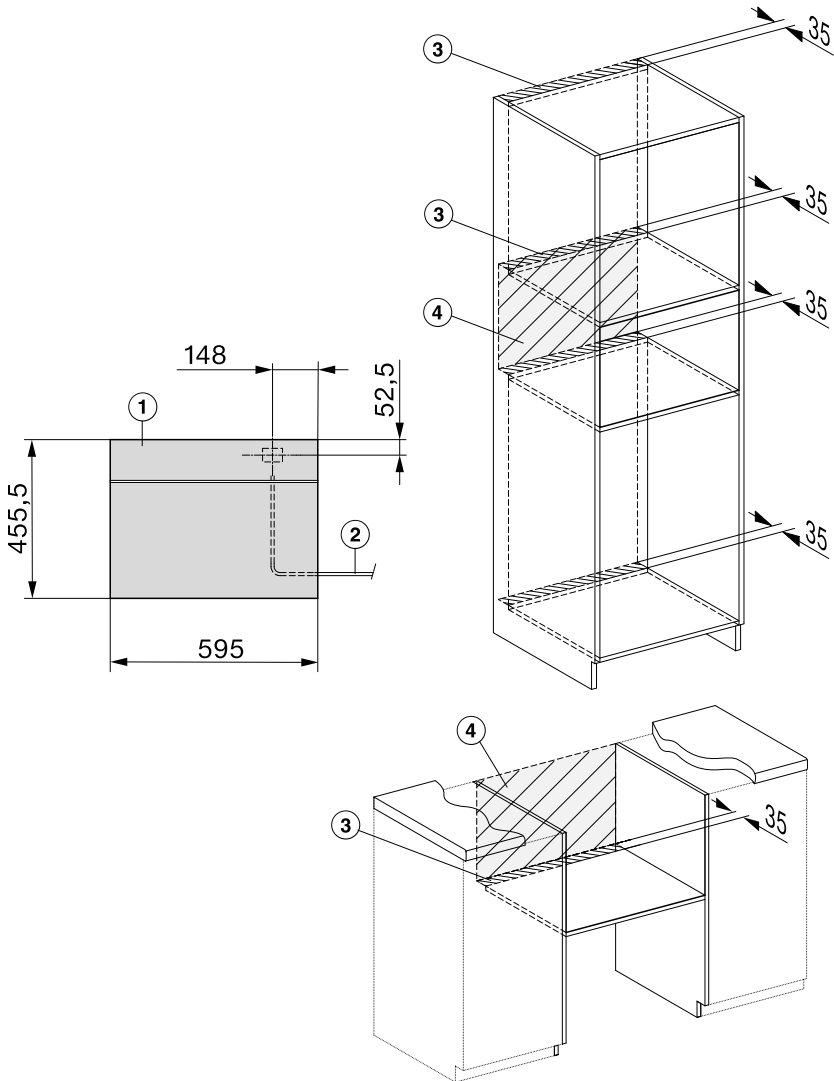
Installation

Side view



- A** Glass front: 22 mm
Metal front: 23.3 mm

Connection and ventilation



- ① Front view
- ② Mains connection cable, L = 2000 mm
- ③ Ventilation cut-out, min. 180 cm²
- ④ No connections permitted in this area