

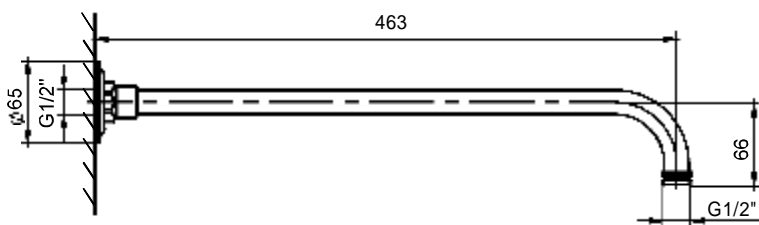
11623 16347 CEILING-MOUNT SHOWER ARM
16346 WALL-MOUNT SHOWER ARM

BEFORE YOU BEGIN

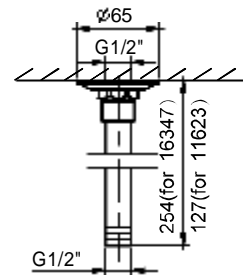
All information is based on the latest product information available at the time of publication. Kohler Co. reserves the right to make changes in product characteristics, packaging, or availability at any time without notice.

Please leave these instructions for the consumer. They contain important information.

ROUGH-IN DIMENSIONS



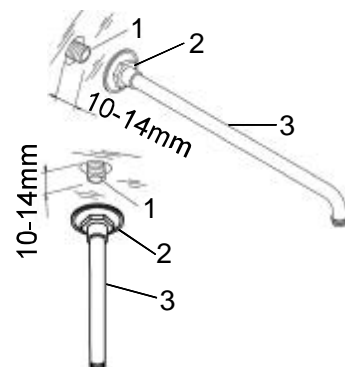
16346



11623 16347

INSTALLATION

Install the G1/2" nipple(1, not provided) to the pipe so it extends 10~14mm beyond the finished wall. Apply a ring of plumbers putty around the back surface of the escutcheon(2). Apply tape or thread sealant to the nipple threads, and install the shower arm(3), tighten with a strap wrench. Adjust the escutcheon and make sure it against the wall. Remove any excess putty.



Flush both water supplies through the shower arm for one minute to remove debris.