

**Product**

- Purist basin set with 210mm spout and lever handles

**Kohler Code**

14415A-B4\*



**Included Components**

- Concealed breech piece

**Features**

- Choice of 5 colours
- Metal construction
- ¼ turn ceramic disc valves
- Suitable for mains pressure
- KOHLER finishes resist tarnishing and corrosion



WELS RATING  
(5 Star 6.0 Litres / min)

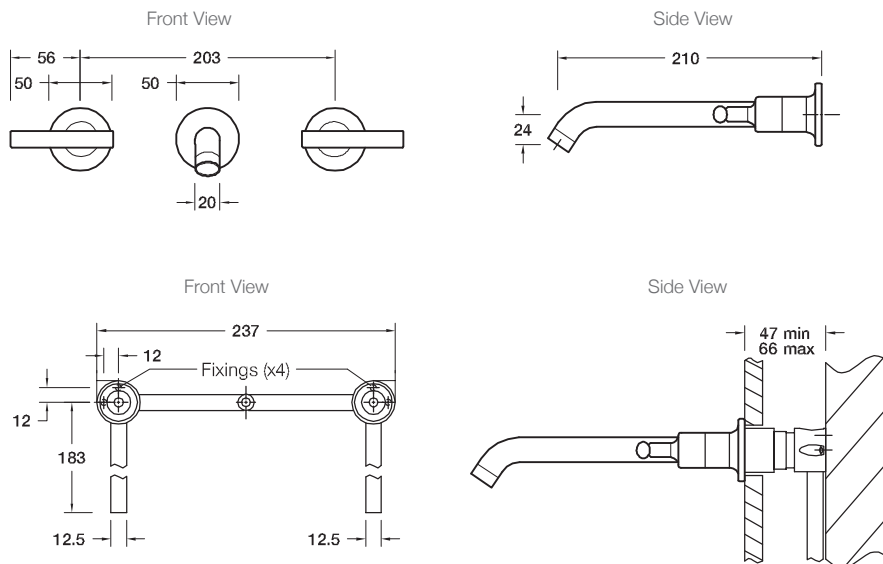
**PVD Colour Options** (Colour swatches indicative only)

-  14415A-B4-CP - Polished Chrome
-  14415A-B4-BV - Vibrant Brushed Bronze
-  14415A-B4-BN - Vibrant Brushed Nickel
-  14415A-B4-PGD - Vibrant Moderne Polished Gold
-  14415A-B4-RGD - Vibrant Rose Gold

**Related Products**

- Purist tapware
- Purist accessories

**Technical Details**



**Installation Notes:**

- 12.5mm copper inlets.
- Optimum working pressure 300-500 kPa.
- Maximum hydrostatic pressure 800 kPa (This pressure may be exceeded only under test conditions).
- Maximum temperature 80°C.
- Where normal working pressure exceeds the maximum, pressure limiting valves should be installed.
- Inline filters should be used to protect tapware from debris that may be present within the plumbing.