

3N1 J SERIES



Pictured in Brushed finish



FUNCTIONALITY



Filtered Boiling Water

Adjustable temperature from 88°C to 98°C



Regular Hot & Cold Water

Mains hot & cold water from a high quality, Italian designed kitchen mixer

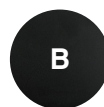
AVAILABLE FINISHES



Chrome



Brushed



Black/Chrome

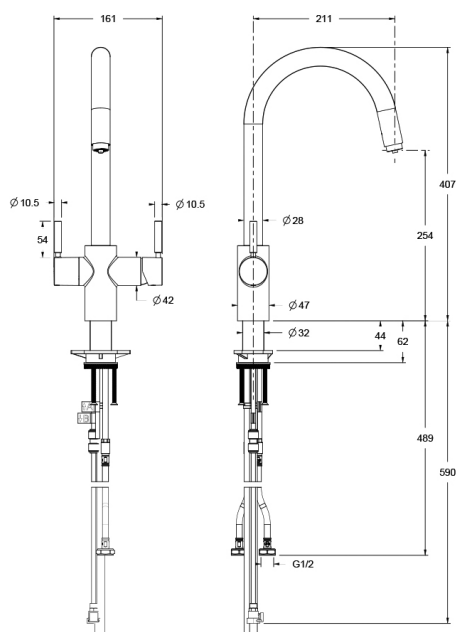
MULTITAP™ 3N1

J SERIES SPECIFICATION SHEET

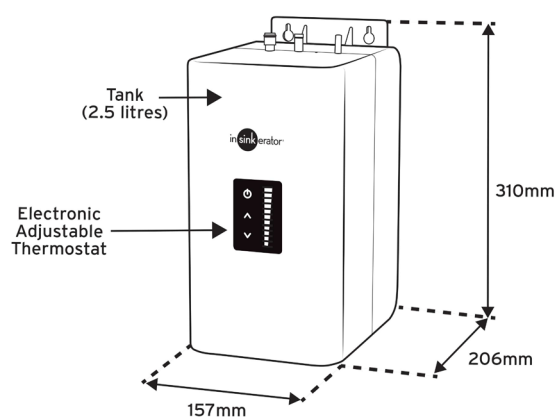
Tap	InSinkErator Multitap 3N1 J Series
Product Code	Chrome - 3003JC / Black/Chrome - 3003JB / Brushed - 3003JBR
Water Supply	Hot & Cold mains supply
Required Supply Pressure (cold)	172 - 862 kPa (1.7-8.6 bar) 25-125 psi
Required Supply Pressure (hot)	50xPa (0.5 bar) (7psi)
Required Hole Diameter	35 - 38mm
Power Supply	NeoTank (1 x 10 amp GPO)
NeoTank Capacity	2.5L Stainless steel tank
NeoTank Dimensions	310 x 206 x 157mm
Warranty	5 Years (tap) / 2 Years (tanks) In-home parts & service
WELS Rating	5 Stars
WaterMark Certified	Yes

TECHNICAL DRAWINGS

3N1 J SERIES



NEOTANK



InSinkErator Australia
Sales/Service Tel: 1300 136 205

www.insinkerator.com.au

