

Built-in Microwave

IV602BIM



24 MONTH
WARRANTY



Perfect partners, our stainless steel microwave is designed to match perfectly with your choice of ILVE oven. Simple to use and made of the finest materials, with stainless steel used internally, this microwave is easily cleaned and maintained.

Because microwave oven units are usually fitted to supplement the built in oven, it is especially important that they match in design and colour. ILVE appliances are renowned for forming a perfectly integrated family of built in appliances. That's why this microwave comes with an integrated trim kit to build in with your choice of ILVE oven.



Built-in Microwave

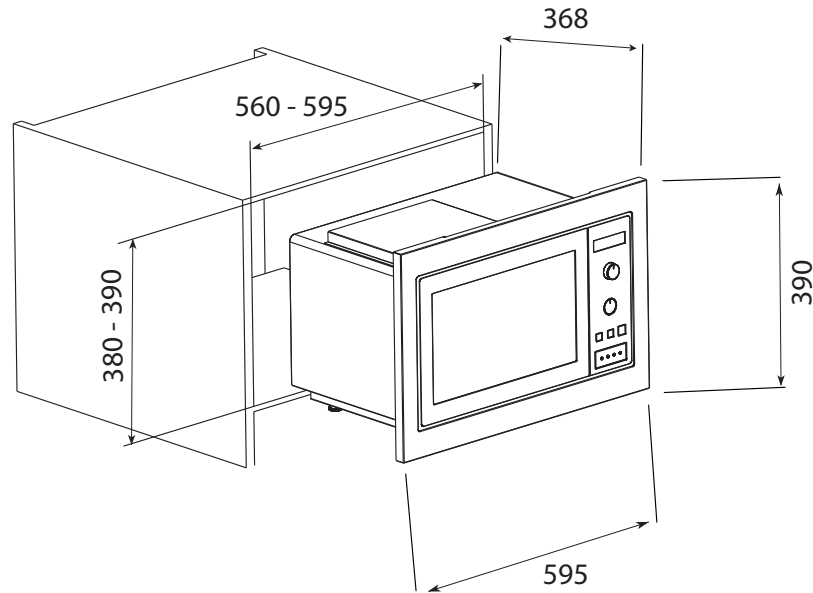
IV602BIM

Model IV602BIM Built-in Microwave

- Made and purpose built to suit all ILVE ovens
- Defrost function
- Child lock
- 1000W Grill
- Input power - 1300W and Output power - 800W
- 11 Electronic programmable auto cook presets
- 25 litre internal volume
- 3 COMBI heat and grill options
- Separate grill and browning function
- 6 power levels
- Stainless Steel exterior and interior
- Digital Display
- 310mm diameter turntable
- Matching stainless steel trimkit attached to the microwave (total 595mm wide)
- Door locking mechanism
- 'Sleep Mode' will turn off the digital display after 5 minutes of no use

Interior & Accessories

- Grill/browning element
- Control panel
- Turntable
- Grilling rack
- Turntable support



For installation specifications, please consult with ILVE. For optimum installation, we recommend using the actual product as the best guide.

60cm Built-in Microwave Model IV602BIM

Total electrical requirement: 10AMP GPO

10012019

Australia National Telephone Number 1300 MYILVE (694 583) New Zealand Telephone Number 0508 458 369
 ILVE showrooms are open Tuesday - Friday from 9am-5pm and Saturdays 10am-4pm. CLOSED Monday & Sunday

ilve.com.au

NSW & ACT (Head Office)

48-50 Moore Street
 Leichhardt
 F 02 8569 4699

VIC & SA

1211 Toorak Road
 Camberwell
 F 03 9809 2155

QLD

1/42 Cavendish Road
 Coorparoo
 F 07 3397 0850

WA & NT

Unit 10/55 Howe Street
 Osborne Park
 F 08 9201 9188

TAS (Crisp Ikin)

3 Pear Avenue
 Derwent Park, 7009
 P 03 6272 7386

New Zealand

PO Box 11.160
 Sockburn Christchurch
 F 03 344 5906