

FREESTANDING COOKERS

CS9GMMNA 90CM FREESTANDING COOKER



EAN 8017709294779

Dimensions	900mmW x 872-912mmH x 600mmD
Finish	Matt black, Eclipse high visibility black glass
Installation	Freestanding
Display	Electronic Touch Clock

Main oven	
Capacity	126L
Total functions	8
Door glass	Triple glazed door
Cooking levels	5
Thermostat	50-260°C
Programmability	Fully programmable
Cleaning	Vapour Clean
Lighting	2 x 40W halogen
Safety	Thermal protection
Supplied accessories	1 x Chrome wire shelf 1 x 20mm enamelled baking tray 1 x 40mm enamelled baking tray 1x Grill insert 1 x GTT - Total telescopic guides 1x Stainless steel plinth
Optional accessories	GTP - Partial telescopic guides GTT - Total telescopic guides PRTX - Refractory pizza stone PALPZ - Pizza shovel with fold away handle

Power	220-240V, 50/60Hz 3200W 14A Connection
-------	--

Warranty	Two years parts and labour
----------	----------------------------

THERMOSEAL

The seal of Smeg's quality, technical excellence and taste: succulent roasts, crisp pastry and impressive baking is achieved in Smeg's unique, perfectly controlled cooking environment. Thermoseal maintains the perfect atmospheric balance in the cavity for optimum cooking conditions.

EVER CLEAN ENAMEL

The superior quality of Smeg's patented Ever Clean enamel, which is highly durable and easy to clean, is the result of nearly 70 years of enameling expertise; ensuring long-life performance of every Smeg oven.

VAPOUR CLEAN

Smeg's Ever Clean enamel's tough surface has a glassy finish, so a simple spray of water and detergent around the cavity in conjunction with the Vapour Clean option will generate heat and steam to soften any grease for a wipe-clean result.

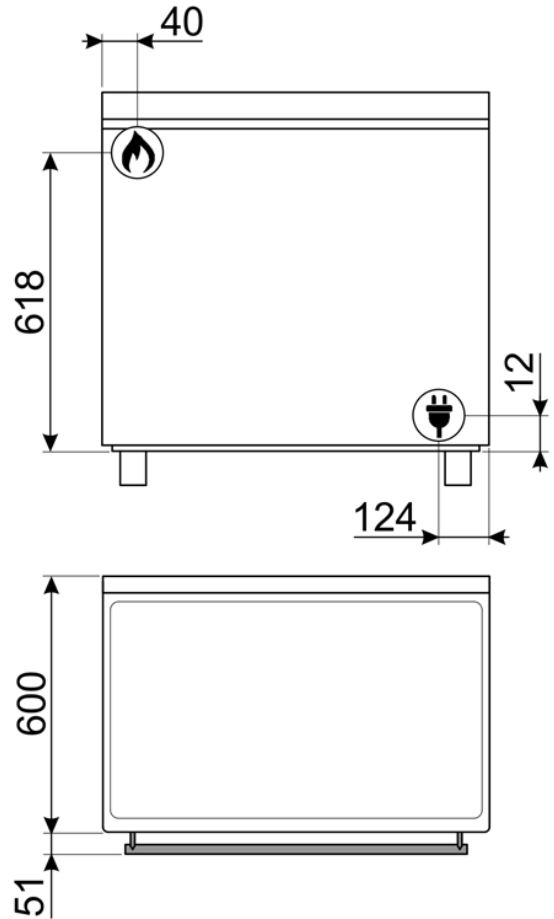
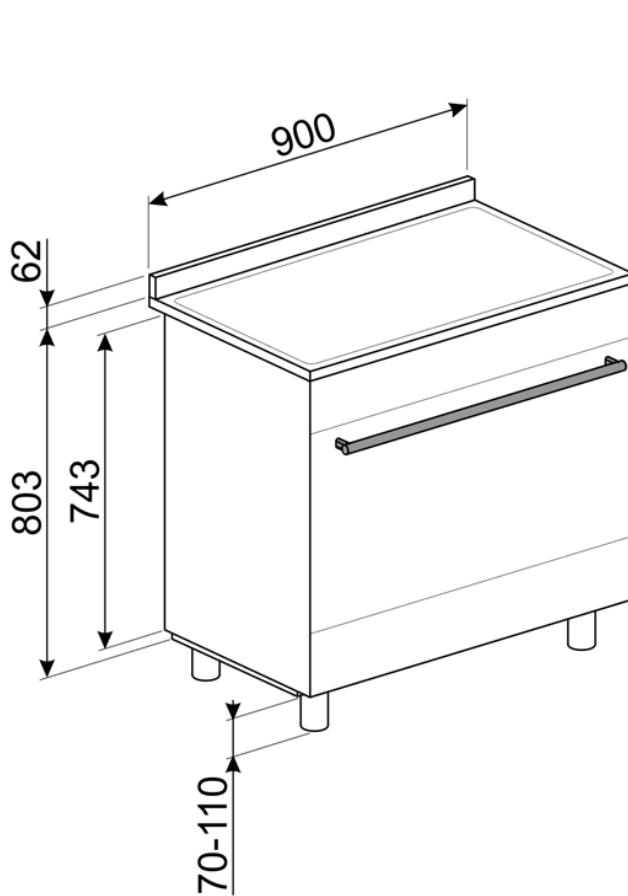
Gas hob	
Capacity	6 Burners
	Front left (wok) 15.2 Mj/hr Rear left 3.9 Mj/hr Front centre 3.9 Mj/hr Rear centre 7.5 Mj/hr Front right 7.5 Mj/hr Rear right 12 Mj/hr
Gas input	Set for natural gas, regulator supplied, adapt for ULPG, no regulator required
Safety	Flame failure device fitted to each burner
Supplied accessories	1 x Cast iron wok support

ID220728

FREESTANDING COOKERS

CS9GMMNA
90CM FREESTANDING COOKER

Functions



PLEASE NOTE: drawings are not to scale. They are to assist only.

WARNING: technical specifications and product sizes can be varied by the manufacturer without notice.

Cutouts for appliances should only be by physical product measurements. The above information is indicative only.

ID220728