

Urbane II



Tapware shown is not included.

The Urbane II basin range features refined thin edge details, contemporary rectangular forms, and a practical, easy-to-clean bowl. Designed to enhance the complete Urbane II bathroom collection, the basin range is available in a range of configurations, ideal for general purpose, domestic and commercial applications.

Tap Holes: Basin available in: No tapholes Code No.878500.

Waste Outlet: The basin has been design and supplied with an integrated waste with a white ceramic pop up waste cap. To colour match to tapware and bottle trap, optional wastes are available with brass waste caps in 5 finishes, Black (B), Brushed Brass (BB), Brushed Nickel (BN), Chrome (C) and Gunmetal Grey (GM). Code No.687330.

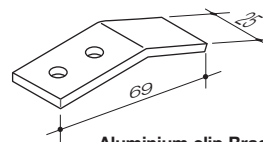
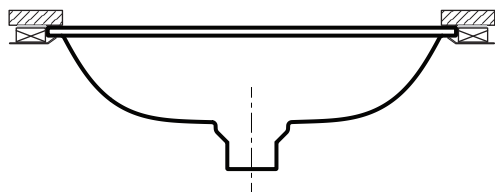
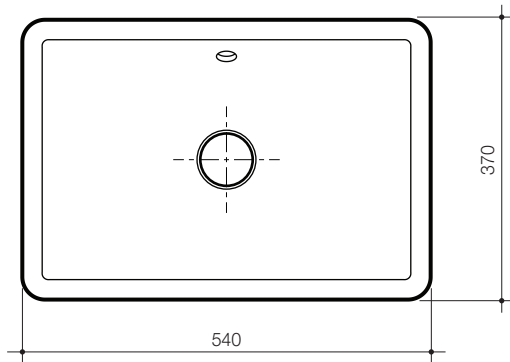
Bowl Capacity: 10.2 litres.

Overflow: Overflow not available.

Fixing: The underside of the basin rim must be sealed to the counter top with an acetic cured silicone sealant. **Epoxy type glues must not be used.** The basin is supplied with a template which must be used for the counter top cut-out.

Colours: White only.

Dimensions: All dimensions are in millimetres and are subject to normal manufacturing variations. Caroma pursues a policy of continuing improvement in design and performance of its products. The right is therefore reserved to vary specifications without notice.



Aluminium clip Bracket
Code No.813734

