

## Xoni 90 Mirror with Lit Border

ARO6112

**Volts:** 220-240V (hardwire)

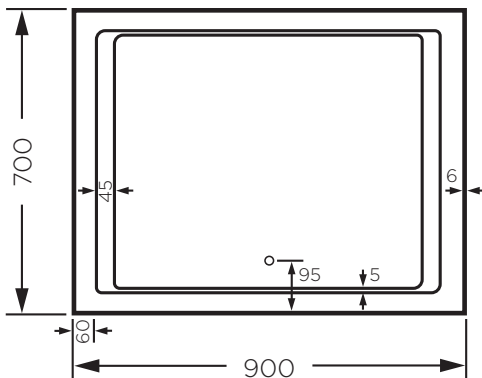
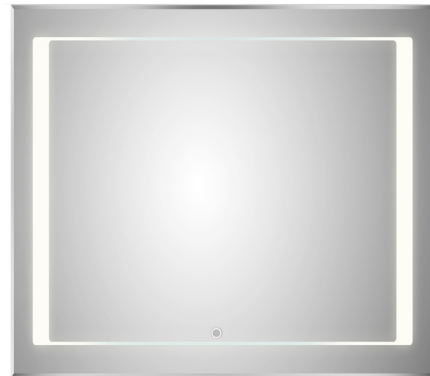
**Power rating:** 43W

**Backlit:** Yes

**Demister:** Yes

**Clock:** No

**Magnifier:** No

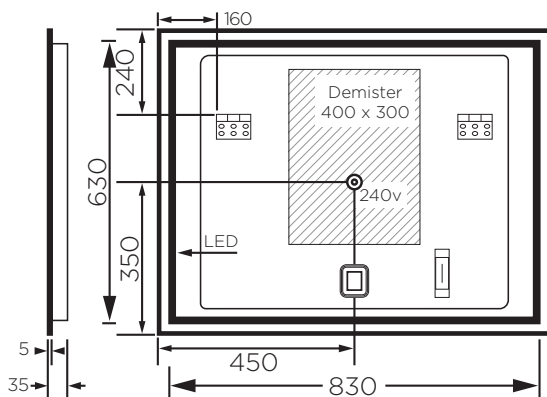


The Xoni mirror is one of the new feature packed LED lit mirrors from Arcisan.

The frosting is lit using the latest LED technology for long life, low electricity usage and an even spread of light, unlike older fluorescent lit mirrors. The lights and demister are operated via the touch switch.

Quality is assured through the use of high quality float glass and 100% silvering on the rear that is completely sealed against any moisture penetration.

Size is 900mm x 700mm.



**WARRANTY**  
5 years

\*Conditions apply.