

## URBANE II LEFT HAND SHELF WALL BASIN

VISIT [SPECIFY.CAROMA.COM.AU](https://specify.caroma.com.au)

The below products have been shared with you through the Caroma Specify website.

Visit [specify.caroma.com.au](https://specify.caroma.com.au) to find more inspirational and innovative bathroom products.



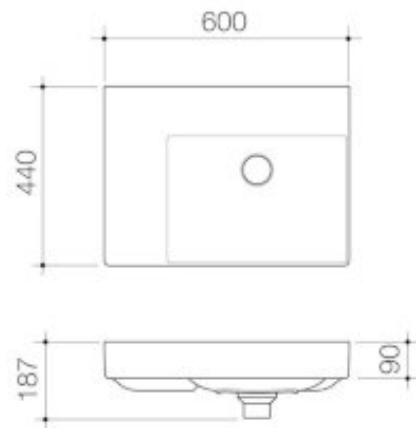
### URBANE II LEFT HAND SHELF WALL BASIN

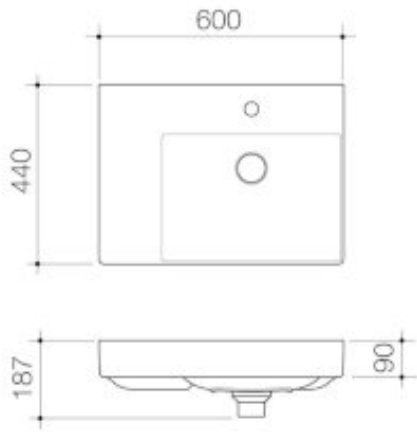
Our Urbane II Collection basins feature a contemporary thin-rim design to make a fashionable statement in any modern bathroom. Urbane II basins include an integrated ceramic pop-up plug and waste which sits flush with basin when open. Optional pop-up plug & waste also available in Chrome, Matte Black, PVD Brushed Nickel, PVD Brushed Brass and PVD Gunmetal.

\*Crafted with highly durable fine fire clay \*Contemporary thin rim design \*No overflow for increased hygiene \*Smooth stain resistant surface \*Includes integrated ceramic pop-up plug and waste \*9.5L bowl capacity \*Also available in 1 tap hole (Code 878810W) \*Optional Urbane II Bottle Traps and Pop-down Plug & Waste available in White (Bottle Traps only), Chrome, Matte Black, PVD Brushed Nickel, PVD Brushed Brass and PVD Gunmetal \*Match with complete Urbane II Bathroom Collection \*20-year warranty \*Australian designed and engineered

### PRODUCT CODES

878800W Urbane II Left Hand Shelf Wall Basin (No Tap Hole)	\$499.00*
878810W Urbane II Left Hand Shelf Wall Basin (1 Tap Hole)	\$499.00*





---

© COPYRIGHT 2014 - CAROMA INDUSTRIES LIMITED



\*All price are recommended retail inclusive of GST in AUD. To be used as a guide only, prices may vary between model variations, and are subject to change without notice.  
A number of brands and products on this page are the subject of registered trade marks, register designs and/or registered patents. View full disclaimer on [specify.caroma.com.au](http://specify.caroma.com.au)