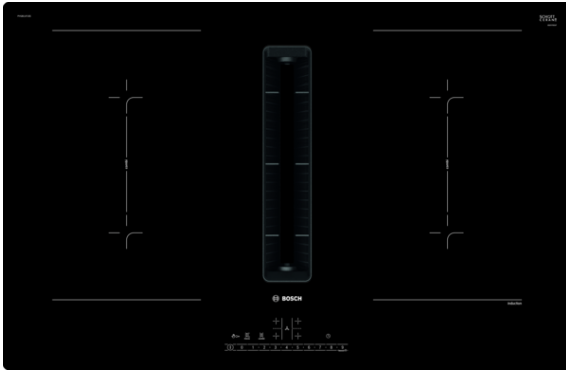


**Serie | 6, induction cooktop with integrated ventilation, 80 cm  
PVQ811F15E**



**Optional accessories**

HEZ9SE030 : Set of 2 pots and 1 pan  
HEZ9VRPD0 : Basic kit (partly-)ducted recirculation

**The induction cooktop with integrated ventilation module: combines induction with ventilation technology for perfect results.**

- **DirectSelect:** Direct, simple selection of the desired cooking zone, power and additional functions.
- **AutoOn function:** starts the ventilation module automatically in power level 3.
- **PowerBoost:** Up to 50% more power for faster heating.
- **ReStart:** if something boils over, the cooktop automatically turns itself off and saves the last selected setting.
- **ChildLock:** locks the control panel to prevent accidental changes in settings.

**Technical Data**

Product name/family :	Cooking zone ceramic
Construction type :	Built-in
Energy input :	Electric
Required niche size for installation (HxWxD) :	223 x 750-750 x 490-490
Width of the appliance :	802
Dimensions :	223 x 802 x 522
Dimensions of the packed product (HxWxD) (mm) :	430 x 940 x 660
Net weight (kg) :	25.705
Gross weight (kg) :	30.6
Residual heat indicator :	without
Location of control panel :	Hob front
Basic surface material :	Ceramic
Color of surface :	Black
Approval certificates :	CE, VDE
Length electrical supply cord (cm) :	110
Sealed Burners :	No
heating with booster :	All
Power of 2nd heating element (kW) :	3.6
Maximum output air extraction (m <sup>3</sup> /h) :	500
Boost position output recirculating (m <sup>3</sup> /h) :	615.0
Maximum output recirculating air (m <sup>3</sup> /h) :	500
Boost position air extraction (m <sup>3</sup> /h) :	622
Noise level (dB) :	69
Odour filter :	No
Operating Mode :	Convertible
Delay Shut off modes :	30
Electrical connection rating (W) :	7400
Voltage (V) :	220-240/380-415
Frequency (Hz) :	50; 60
Main colour of product :	Black
Approval certificates :	CE, VDE
Length electrical supply cord (cm) :	110
Required niche size for installation (HxWxD) :	223 x 750-750 x 490-490
Dimensions :	223 x 802 x 522
Dimensions of the packed product (HxWxD) (mm) :	430 x 940 x 660
Net weight (kg) :	25.705
Gross weight (kg) :	30.6



## Serie | 6, induction cooktop with integrated ventilation, 80 cm PVQ811F15E

### The induction cooktop with integrated ventilation module: combines induction with ventilation technology for perfect results.

#### Design

- Frameless

#### Comfort & Convenience

- 4 induction cooking zones
- 2x 2 Combi zones
- Direct Select 1.0 Touch Control
- Move Mode - 2 Automatic Power Levels
- Cooking zone front right: Combined heating - 190 mm, 210 mm 2.2 kW
- PowerBoost function - reduce the time to heat up large quantities of water
- Timer with automatic switch off for all zones
- ReStart - Quickly reinstates previous settings
- QuickStart - Quick and automatic first pot detection

#### Size & Power

- Cooking zones: 1 x 380 mm x 210 mm, 3.6 KW Induction or 2 x 190 mm, 210 mm, 2.2 KW (max. power 3.7 KW) Induction; 1 x 380 mm x 210 mm, 3.6 KW Induction or 2 x 190 mm, 210 mm, 2.2 KW (max power 3.7 KW) Induction
- 17 power levels for each cooking zone
- Digital 2-stage residual heat indicator for each cooking zone
- Cooking zone front left: CombiZone - 400 mm, 210 mm - 2.2 KW Cooking zone rear left: CombiZone - 400 mm, 210 mm - 2.2 kW CombiZone - 190 mm, 210 mm - 2.2 kW Combined heating - 190 mm, 210 mm - 2.2 KW
- Automatic pan recognition sensor PowerManagement Function Automatic safety switch-off Childproof lock WipeProtection
- Energy consumption display

#### Integrated ventilation downdraft system

- Induction cooktop with fully integrated high-performance downdraft extractor.
- Aesthetically integrated fully flush air intake design with floating, heat resistant glass ceramics element for free movement and placement of cookware.
- Ventilation system with 9 electronically controlled fan power levels and 2 Boost-/Intensive fan power levels (with automatic revert) via Direct Select 1.0 Touch Control user interface:
- Automatic switch-on of ventilation system when a cooking zone is used.
- Automatic delayed shut-off after cooking to erase residual odors after cooking (in specific ultra low-noise fan level, 12min in ducted extraction, 30min in recirculated extraction, can be shut-off manually).
- High-performance, low-noise blower with energy-efficient BLDC-technology. High extraction rates at very low noises with pleasant noise frequencies through psycho-acoustically and aerodynamically optimized interior with enclosed, non-visible blower. Highly pressuredrop resistant even with longer and more complex ductings.
- Fully manual control possible via Direct Select 1.0 Touch Control.
- Extraction performance in ducted extraction (according to EN 61591): min. normal setting 154 m<sup>3</sup>/h, max. normal setting 500 m<sup>3</sup>/h, max. Boost-/Intensive setting 622 m<sup>3</sup>/h.
- Extraction performance in recirculated extraction (according to EN 61591): min. normal setting 150 m<sup>3</sup>/h, max. normal setting 500 m<sup>3</sup>/h, max. Boost-/Intensive setting 615 m<sup>3</sup>/h.
- Noise min. normal setting & max. normal setting: 42 dB & 69 dB.
- Suitable for ducted or recirculated extraction configuration (incl. differentiated software modes). Respective mandatory installation accessories required:
- Installation kit HEZ9VEDU0 for fully ducted extraction.
- Installation kit HEZ9VRPD0 for fully ducted and partly-ducted recirculation with cleanAir odor filters (recommended for recirculation extraction against an external wall). Installation kit HEZ9VRUD0 for unducted recirculation with cleanAir odor

filters (recommended for recirculation extraction against an internal wall or in an island bench).

- - cleanAir odor filters: Lifetime of 360 hours of cooking (non-regenerative).
- - Low-noise filters with optimized psycho-acoustics.
- - Large scale filter surface with high odor reduction capabilities.
- - Optimized odor reduction performance for cooking applications with complex odor molecules (e.g. fish).
- - Easy-to-access and easy-to-remove from above.
- - Replenishment cleanAir filter set 17004806 (HEZ9VRCR0) available via customer service.
- - Convenient one-hand removal of unit via floating glass ceramics handle.
- Integrated, large-scale, high performance stainless-steel grease filters with 12 filtration layers and one black top layer for enhanced aesthetical integration.
- All parts of the unit are easy-to-clean, fully dishwasher safe and heat resistant.
- (Upper) Liquid collector unit with 200ml of capacity for standard accidental spillages or cooking condensate.
- Powerful drainage system for spillages that exceed 200ml of liquids.
- Liquid safety collector with additional capacity of 700ml for more severe accidental situations. Dishwasher safe. Easily accessible and detachable from below.
- Overall capturing capacity of 900ml (200ml + 700ml).
- Watertight blower system.
- - Noise level in ducted extraction (Sound power level according to EN 60704-3): min. normal setting 42 dB re 1 pW, max. normal setting 69 dB re 1 pW, max. Boost-/Intensive setting 74 dB re 1 pW.
- - Noise level in recirculated extraction (Sound power level according to EN 60704-3. ): min. normal setting 41 dB re 1 pW, max. normal setting 68 dB re 1 pW, max. Boost-/Intensive setting 72 dB re 1 pW.
- - Grease filter efficiency (according to EN 61591) 94 %.

#### Technical Information

- Appliance measurements (H/W/D): 223 mm x 802 mm x 522 mm
- Installation dimensions: (H x W x D) 223 mm x 750 mm x 490 mm
- Installation into 60 cm floor cupboard possible
- Min. worktop thickness: 16 mm
- Length wire connection: 110 cm
- 7.4 KW total connected load
- Cable included

#### Planning & installation notes

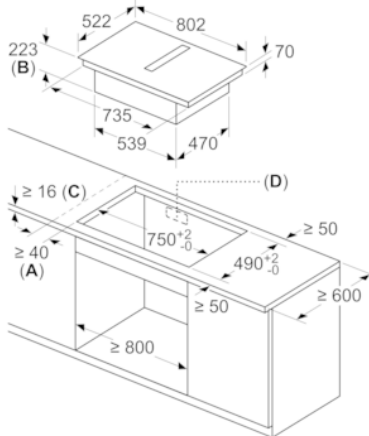
- Suitable for ducted or recirculated extraction installations. Respective mandatory installation accessories required:
  - HEZ9VEDU0 for ducted extraction
  - HEZ9VRPD0 for fully ducted and partly-ducted recirculation with cleanAir odor filters. Recommended for extraction against an external wall. Additional ducts are required. Installation kit HEZ9VRUD0 for unducted recirculation with cleanAir odor filters. Recommended for extraction inside the kitchen such as an island bench setting or an internal wall.
- Planning suggestions:
  - Installation is possible in island as well as wall oriented configurations.
  - The max. immersion depth is 223mm below glass for top mounted appliances and 227mm for flush installed appliances.
  - The minimum worktop thickness is 16mm for top mounted and flush installed appliances with the standard installation system. Installation in even thinner worktops is also possible with the spare part: 626792.
  - The overall appliance weight is 26kg - the bearing capacity and stability, in the case of very thin worktops in particular, must be supported using suitable substructures. The overall appliance weight and the worktop manufacturer's structural integrity specifications are to be taken into account.
  - The appliance must be freely accessible from below (i.e. for accessing the lower liquid safety collector).
  - No false floor is necessary below the cooktop with integrated downdraft ventilation system. The drawers and/or shelves in the floor unit must be removable. The backpanel of the floor unit can be kept - only a cut-out for the air outlet is needed (position and size can be taken from the installation instructions).
  - Installation kit HEZ9VRUD0 for unducted recirculation enables easy and quick installations and can be planned in all worktop depths  $\geq 60$ cm. For ducted installations - in ducted extraction (HEZ9VEDU0) as well as fully or partly ducted recirculation (HEZ9VRPD0) - a worktop depth of  $\geq 70$ cm is required.
  - Installation kit HEZ9VRUD0 for unducted recirculation requires a vertical aperture of min. 25mm behind the backpanel of the furniture. Suggested for ideal performance are 50mm.
  - For partly ducted and unducted recirculation extraction installations, a return-flow aperture of  $\geq 400$ cm<sup>2</sup> is to be respected in the plinth area. The aperture can be realized via outlet grids, lamella grids or subtly shortened plinths

depending on the assortment of the kitchen furniture manufacturer.

- - The air outlet on the backside of the appliance can directly be accessed with a male flat duct element (DN 150).
- - The pressuredrop resistant blower allows longer and more complex ductings up to 8m with three 90° bows while keeping sufficient performance.
- - In ducted extraction configuration a one-way flap (or backflow trap) with a maximum opening pressure of 65Pa should be installed.
- - For ducted extraction configuration: 2 x 2 Battery of directly integrated, high-performance low-noise acoustic filters for significantly lower noise and improved psycho-acoustics.
- - The product complies with the Needle Flame Test (according to IEC 60695-5-11), the V2 flammability class (according to UL94) and the B1 building material class (DIN 4102-1). The starter kit HEZ9VRUD0 for unducted recirculation complies with these standards as well.

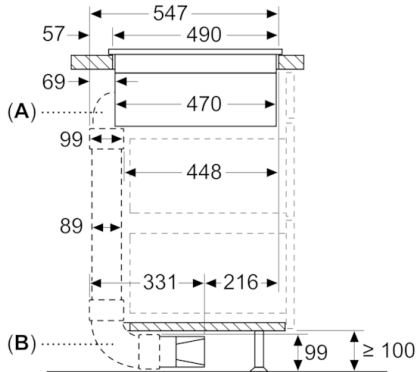
## Serie | 6, induction cooktop with integrated ventilation, 80 cm PVQ811F15E

measurements in mm



- A: Minimum distance from the hob cut-out to the wall
- B: Recessing depth
- C: The worktop into which the hob is installed must withstand loads of approx. 60kg; suitable substructures must be used if required

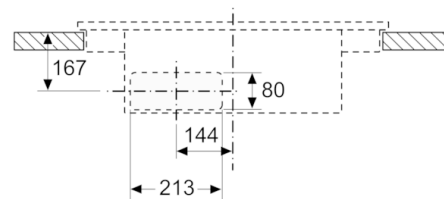
measurements in mm



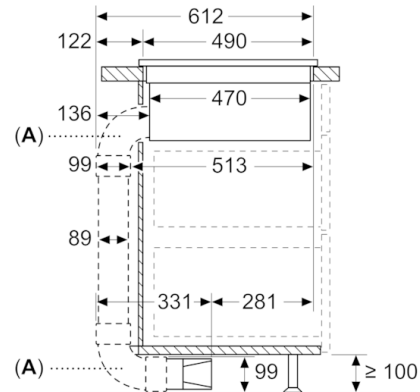
- A: With 90° "S" bow
- B: With 90° "L" bow

measurements in mm

Front view – unit cut-out  
for unducted recirculation



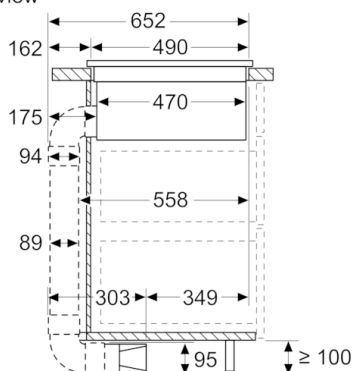
measurements in mm



- A: With 90° "L" bows

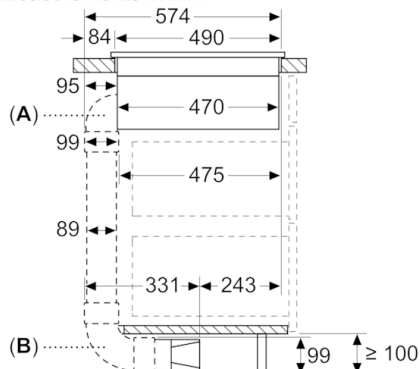
measurements in mm

Side view



With 3<sup>rd</sup> party 90° bow

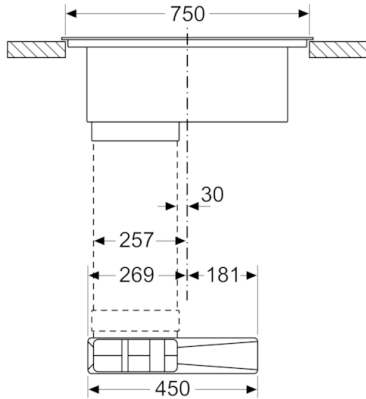
measurements in mm



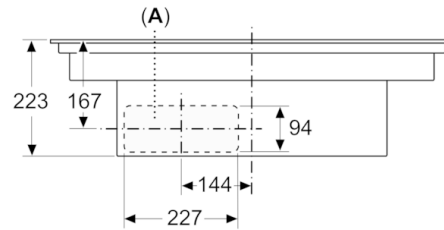
- A: With 90° "M" bow
- B: With 90° "L" bow

## Serie | 6, induction cooktop with integrated ventilation, 80 cm PVQ811F15E

measurements in mm  
Front view

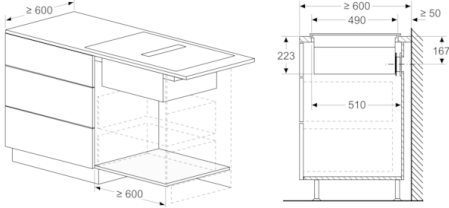


measurements in mm  
Front view

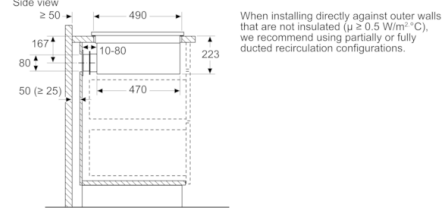


A: Connected directly at the rear

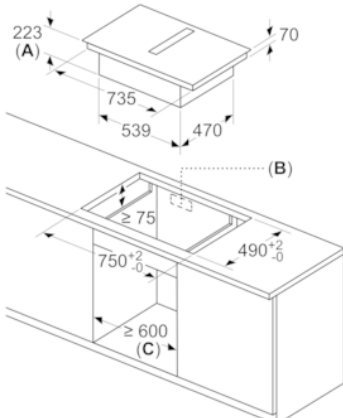
measurements in mm



measurements in mm



measurements in mm



A: Recessing depth  
B: Cut-out in back panel required for