

BPK556320M

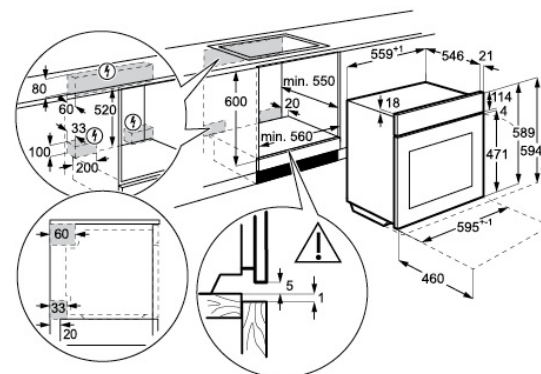
60cm 10 Function Pyroluxe™ Oven with SteamBake function

Features

- Pyroluxe™ Self Cleaning
- SenseCook food sensor
- OptiFlex™ telescopic runners
- MaxiView™ enlarged window
- IsoFront™ - A genuine cooler door
- SoftMotion™ hinges
- European A+ Class Energy Rating
- Anti-fingerprint stainless steel
- FloodLight™ system

Included accessories:

- 2 x anti-stick wire shelves, 1 x anti-stick wire shelf trivet, 1 x anti-stick dripping pan

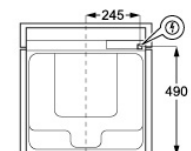
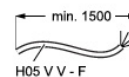


Product Dimension

Total height (mm) - 594, Total width (mm) - 595, Total depth (mm) - 567, CM Tech data - 60cm

Flush fit cut out

Flush fit cut out height (mm) - 600, Flush fit cut out width (mm) - 600, Flush fit cut out depth (mm) - 580



IMPORTANT
These dimensions are a guide only. All measurements are in millimetres (mm).
For complete installation instructions, refer to the manual provided with product.