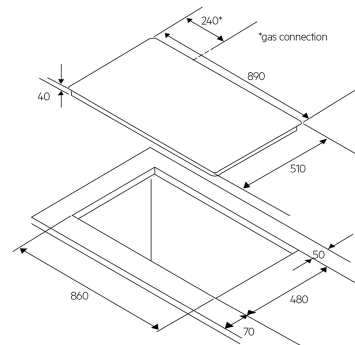


HG90FXA

90cm 5 Burner Stainless Steel Gas Cooktop

Features

- Triple ring, dual valve wok
- Electronic under knob ignition
- Cast iron pan supports
- Laser etched graphics
- Flame failure safety device
- Natural gas
- Optional LPG



DIMENSIONS

Total product width (mm) - 890, Total product depth (mm) - 510, Cut out width (mm) - 860, Cut out depth (mm) - 480, Cut out height (mm) - 60, Minimum height to combustible material Gas (mm) - 200