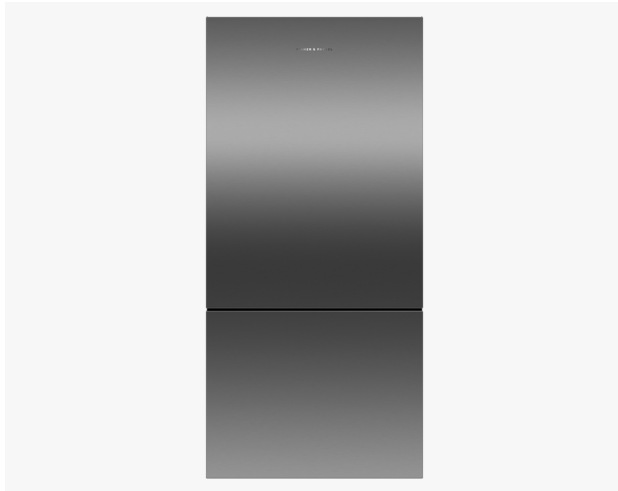


Freestanding Refrigerator Freezer, 79cm, 519L

Series 5 | Contemporary

Black Stainless Steel | Right Hinge

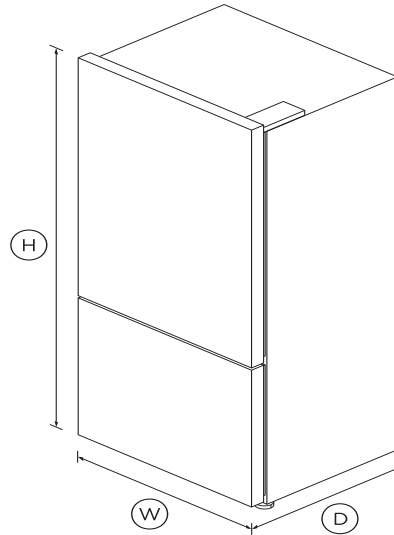


With ample storage and a sleek black stainless steel finish, for a timeless look.

- ActiveSmart™ technology helps keep food fresher for longer by constantly maintaining the ideal temperature.
- Spacious bottom freezer with easy-slide internal drawers to separate storage
- EZKleen black stainless steel can be effortlessly wiped clean

DIMENSIONS

Height	1720 mm
Width	790 mm
Depth	695 mm



FEATURES & BENEFITS

ActiveSmart™ Foodcare

ActiveSmart™ Foodcare learns how you live. It's technology which understands how you use your fridge and adjusts temperature, airflow and humidity inside to help keep food fresher for longer.

Clever energy

Your fridge adapts to daily use by cooling and defrosting only when needed. This means your fridge uses the energy it needs without compromising on food care.

Humidity control

Your fruit and veges need different environments. The humidity control slides in each storage bin create a microclimate that helps keep food fresher for longer.

Easy cleaning

No more dirty marks with our EZKleen feature for stainless steel refrigerators. Anti-fingerprint coating lets you simply wipe clean any finger marks. Spill-safe secure glass shelves easily capture any drips or leaks.

Design quality

Our fridges are designed and built using quality materials. We use real stainless steel on our fridges and solid glass for shelving.

Simple storage

This fridge is designed to make it simple for you to store, access and remove food. Storage bins give you full access inside when they're pulled open and can be easily removed to clean. Our flexible shelving also gives you more storage options.

SPECIFICATIONS

Capacity

Freezer	159L
Refrigerator	360L
Total gross capacity	519L

Consumption

Energy rating	3 stars
Energy star rating	3
Energy usage	467kWh/year

Freezer features

Bottle chill	•
Door alarm	•

Fast freeze	•
Freezer bins	2
Ice tray	2
Large plastic bin	•
Large plastic bins	•
Slide Out Pastry Tray	•

Door alarm	•
Front levelling feet	•
Fruit and vegetable bins	2
Humidity control crispers	•
LED lighting	•
Rear rollers	•
SmartTouch control panel	•
Stackable bottle holders	2

Performance

ActiveSmart™ Foodcare	•
Adaptive defrost	•
Frost free	•
Frost free freezer	•
Inverter controlled compressor	•
R600a refrigerant	•

Warranty

Parts and labour	2 years
Sealed system parts only	additional 3 years

SKU	25924
-----	-------

Product dimensions





Depth	695 mm
Depth (excluding handles)	695 mm
Height	1720 mm
Height to top of cabinet	1720 mm
Minimum air clearance - at rear	30 mm
Minimum air clearance - each	20 mm
Minimum air clearance - on top	50 mm
Width	790 mm

The product dimensions and specifications in this page apply to the specific product and model. Under our policy of continuous improvement, these dimensions and specifications may change at any time. You should therefore check with Fisher & Paykel's Customer Care Centre to ensure this page correctly describes the model currently available. © Fisher & Paykel Appliances Ltd 2019.

Refrigerator features

Adjustable door shelves	4
Adjustable glass shelves	4
Covered door shelves	2

Other product downloads available at fisherpaykel.com

-  [User Guide](#)
-  [Service & Warranty Booklet](#)
-  [Installation Guide](#)
-  [Resources \(zip\)](#)



A PEACE OF MIND SALE
24 Hours 7 Days a Week Customer Support
T 1300 650 590 W www.fisherpaykel.com