

90cm dark stainless steel dual fuel freestanding cooker with a 5 burner gas cooktop, electric multi-function 8 Twin Fan oven with AirFry, high powered, intense 19 mj/h wok burner with dual valve control, 1 set telescopic runners, programmable timer and 125L gross capacity.

RRP AUS \$3,399.00



Product Details

FEATURES

AirFry	High powered, intense 19 MJ/h wok burner	Dual Valve Control	Twin Fan System
Telescopic runners	Digital Programmable timer	Fast Heat Up	Cast iron trivets
Dark Stainless Steel Finish	Large 125L gross oven capacity	Triple glazed oven door glass	Clip-on plinth included

Handy storage compartment
Extra storage always comes in handy, so with a clever storage compartment you can easily stow away any extra pots and pans.

BENEFITS

AirFry for that perfect, healthy crunch
When a food craving hits, make healthier and delicious food right in your oven. Deliver all the flavour and none of the guilt. AirFry allows you to make healthier, tasty meals for the entire family right in your oven.

Twin fan system for even cooking
Cook each dish to perfection with the Twin Fan System. Fans rotate in opposite directions, distributing heat evenly throughout the oven, so you enjoy great results every time.

A hotter wok helps bring out the flavour
Use high heat to lock in the flavor of your dishes. With durable brass caps and 19 MJ/h you can bring your wok to high heat with even flame distribution. Spice up your cooking and spice up your life.

Boil to simmer in an instant
For precision control cooking all your favourite recipes, our smart Dual Valve flame control lets you go from boil to simmer in an instant.

Designed for ease and safety

Telescopic runners are another piece of thoughtful design that makes it easy to draw racks out and safely check on your dishes during cooking.

All the room for all your family favourites

If you are serious about creating delicious family feasts and you love entertaining, you'll be right at home with our 90cm oven with a generous 125L gross capacity. That's plenty of room for the biggest Christmas turkey or a weekend roast for all the family. The extra width makes getting things in and out super easy.

Built in Australia

Westinghouse, has been the heart of the home for generations and the kitchen appliance brand we have always known and trusted to build reliable products. This oven is built in a local factory in Adelaide.

Specifications

PRODUCT PROFILE

Domestic warranty details (yrs)	2
Oven fuel	electric
Materials/Colour	Dark stainless steel
Controls of Oven	control knob
Cooling fan	Yes
Plinth colour (kickboard)	Dark stainless steel
Anti tilt plate	Yes
Front/rear controls	front

MAIN OVEN

Gross capacity litres	125
Useable capacity litres	116
Oven function	multifunction
Number of functions	8

DIMENSIONS

PRODUCT DIMENSION

Total height (mm)	910
Total width (mm)	895
Total depth (mm)	600

ELECTRICAL CONNECTION

Connected load KW	3.6
Maximum current rating (amps)	15
Type of connection	hardwired

MAIN OVEN

Oven liner	pyrolux high temperature enamel
------------	---------------------------------

Timer functions	duration,end,minute minder,oven start,Countdown,24 hour clock
-----------------	---

Lights	2
--------	---

Light wattage	25
---------------	----

Light position	top
----------------	-----

Light activation by door	Yes
--------------------------	-----

Layers of glass in door	3
-------------------------	---

Telescopic runners	one
--------------------	-----

Shelf support	Easy glide side racks
---------------	-----------------------

Number of shelves	2
-------------------	---

Number of shelf positions	5
---------------------------	---

Closed door grilling	Yes
----------------------	-----

SHIPPING

Shipping Weight (Kg)	84
----------------------	----

STUFFING QUANTITIES

20ft	32
------	----

SHIPPING

Pack Dimensions Height (mm) 900

Pack Dimension Width (mm) 1000

Pack Dimension Depth (mm) 750

COOKTOP (IF APPLICABLE)

PRODUCT PROFILE

Cook top type gas

Materials/Colour stainless steel

Knob finish Metalised dark finish

LEFT REAR ZONE

Left rear zone semi-rapid

CONTROLS

Position of controls front

STUFFING QUANTITIES

40ft 64

40ft HC 90

ELEMENTS/BURNERS

Cooking zones 5

FEATURES

Trivets cast iron

Ignition type electronic

GAS SPECIFICATIONS

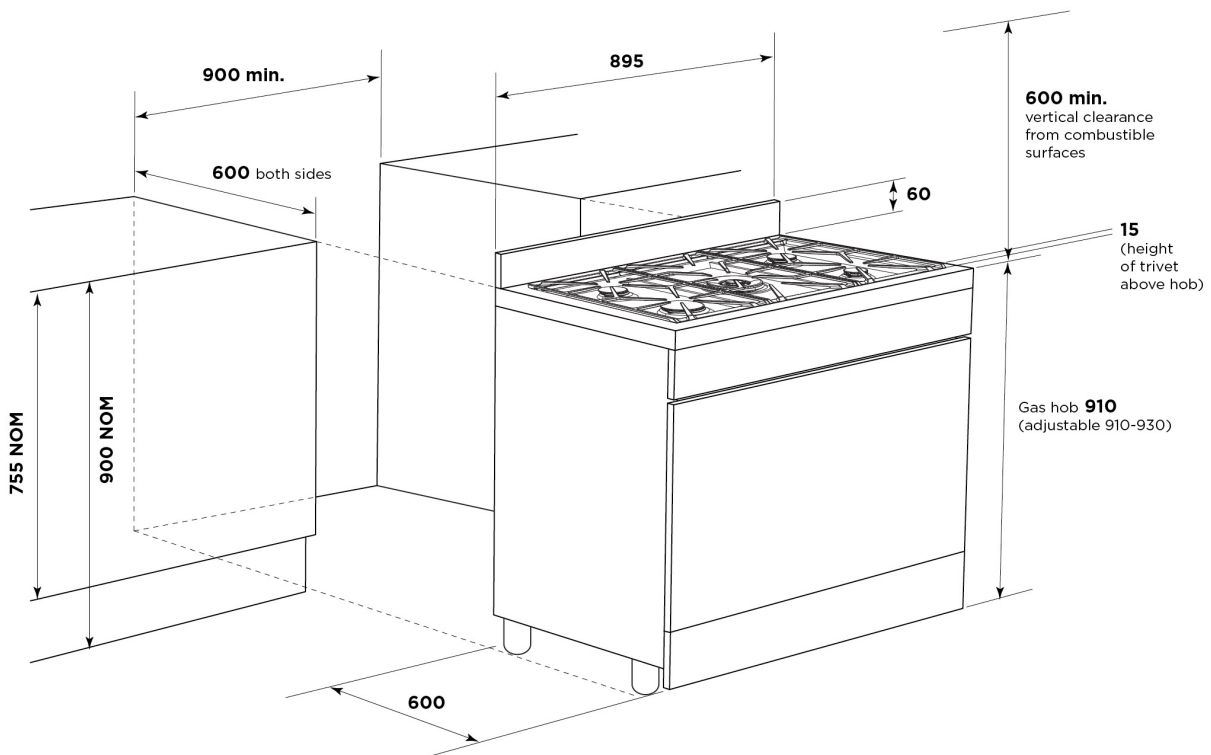
Maximum gas rating (NG) 54

Position of connection

rear right

Dimensions

WFE915SD,
WFE916DSD,
WFEP917DSD



IMPORTANT

These dimensions are a guide only. All measurements are in millimetres (mm).
For complete installation instructions, refer to the manual provided with product.

Terms and Conditions

IMPORTANT

This is a guide of product dimensions only. For complete installation instructions, refer to the manual provided with product.

PRODUCT INFORMATION

The descriptors and illustrations in this publication apply to the specific products and models described as at the date of issue. Under our policy of continuous product development, product specifications may change without notice. Prospective purchasers should therefore check with their retailer to ensure this publication correctly describes the products that are being offered for sale. All information supplied is to be used for general reference purposes only and is on the understanding that Electrolux Home Products Pty Ltd (Australia) and Electrolux (NZ) Ltd (New Zealand) will not be liable for any loss, liability or damage of whatever kind arising as a result of reliance on such information. Colours of products illustrated are as close as printing limitations allow. Electrolux will at all times comply with its obligations pursuant to law including Trade Practices (Australian Consumer Law) Act and Regulations.

WARRANTY

This warranty only applies to Appliances purchased and used in Australia or New Zealand and used in normal domestic applications and is in addition to (and does not exclude, restrict, or modify in any way) any non-excludable statutory warranties in Australia or New Zealand. All warranties are subject to the conditions set out in the warranty card accompanying the product when purchased.

ELECTROLUX HOME PRODUCTS AUSTRALIA

telephone: 1300 363 640

fax: 1800 350 067

email: customercare@electrolux.com.au

web: www.electrolux.com.au

ELECTROLUX HOME PRODUCTS NEW ZEALAND

telephone: 09 573 2230

fax: 09 573 2221

email: customercare@electrolux.co.nz

web: www.electrolux.co.nz