

## FREESTANDING COOKERS

### CS95GMNNA1 90CM FREESTANDING COOKER



EAN 8017709287344

Dimensions	900mmW x 872-912mmH x 600mmD
Finish	Black Enamel, Eclipse high visibility black glass
Installation	Freestanding
Display	5 button LED programmer

Main oven	
Capacity	126L
Total functions	10
Door glass	Triple glazed door
Cooking levels	5
Thermostat	50-260°C
Programmability	Fully programmable
Cleaning	Vapour Clean
Lighting	2 x 40W Halogen
Safety	Thermal protection, Cool door technology
Supplied accessories	1 x Chrome wire shelf 1 x Chrome grill insert 1 x 40mm enamelled baking tray 1 x Partial telescopic guides 1 x Stainless steel kickplate
Optional accessories	GT1P.2 - Partial telescopic guides GT1T.2 - Total telescopic guides Rotisserie kit - Part #698130119
Power	220-240V, 50/60Hz 3200W 14A Connection
Warranty	Two years parts and labour

### THERMOSEAL

The seal of Smeg's quality, technical excellence and taste: succulent roasts, crisp pastry and impressive baking is achieved in Smeg's unique, perfectly controlled cooking environment. Thermosteal maintains the perfect atmospheric balance in the cavity for optimum cooking conditions.



### EVER CLEAN ENAMEL

The superior quality of Smeg's patented Ever Clean enamel, which is highly durable and easy to clean, is the result of nearly 70 years of enameling expertise; ensuring long-life performance of every Smeg oven.

### VAPOUR CLEAN

Smeg's Ever Clean enamel's tough surface has a glassy finish, so a simple spray of water and detergent around the cavity in conjunction with the Vapour Clean option will generate heat and steam to soften any grease for a wipe-clean result.

Gas hob	
Capacity	5 Burners
	Left (wok) 18.0 Mj/hr Front centre 3.9 Mj/hr Rear Centre 7.5 Mj/hr Front right 7.5 Mj/hr Rear right 12 Mj/hr
Gas input	Set for natural gas, regulator supplied, adapt for ULPG, no regulator required
Safety	Flame failure device fitted to each burner
Supplied accessories	1 x Coffee pot stand 1 x Cast iron wok support

Exclusive to

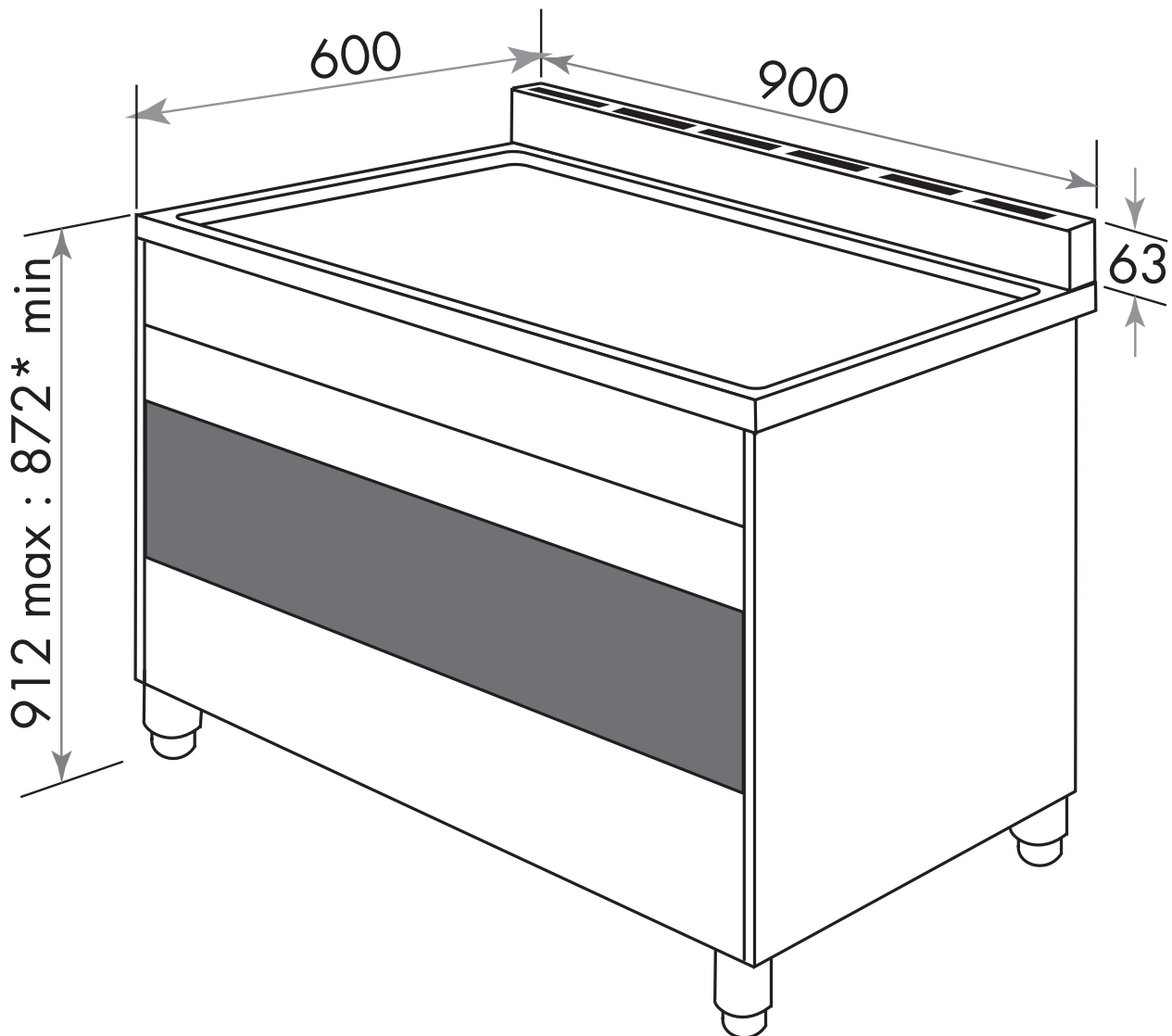
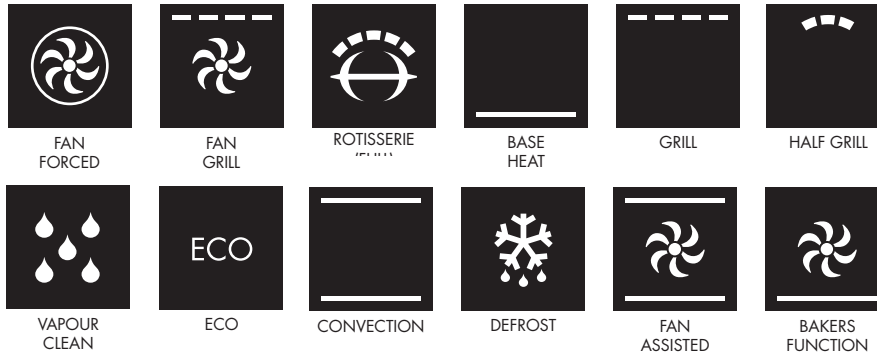


ID200702

FREESTANDING COOKERS

**CS95GMNNA1**  
90CM FREESTANDING COOKER

Functions



PLEASE NOTE: drawings are not to scale. They are to assist only.  
WARNING: technical specifications and product sizes can be varied by the manufacturer without notice.  
Cutouts for appliances should only be by physical product measurements. The above information is indicative only.

ID200702