

AXOR Citterio E

Single lever basin mixer for concealed installation wall-mounted with pin handle, spout 221 mm and escutcheons



Surfaces: **Chrome** Article Number: **36106000**

Description

product features

- consists of: single lever basin mixer for concealed installation wall-mounted, waste set
- projection 221 mm
- laminar spray
- flow rate at 3 bar: 5 l/min
- joystick ceramic cartridge
- suitable for continuous flow water heaters
- non-closing waste set
- connection type: basic set
- handle can be positioned on the right or left, depends on the basic set installation

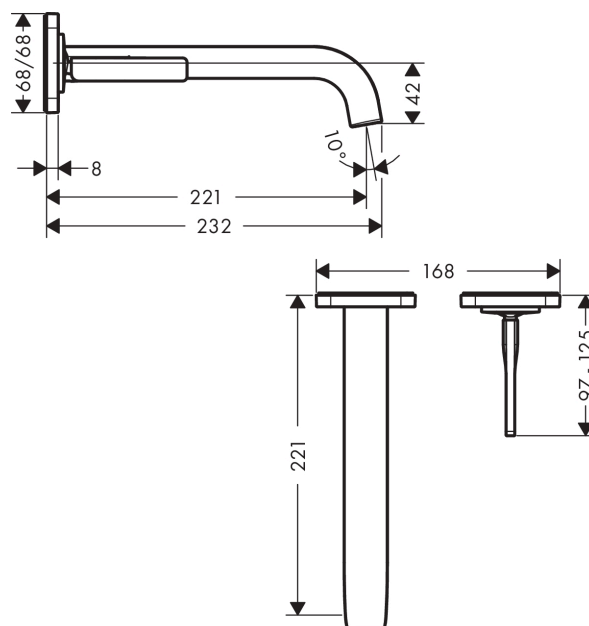
Technology



Product image



Scale drawing



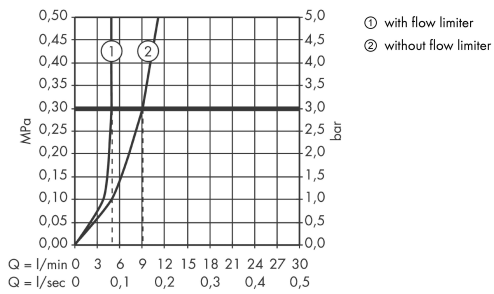
AXOR Citterio E

Single lever basin mixer for concealed installation wall-mounted with pin handle, spout 221 mm and escutcheons



Surfaces: **Chrome** Article Number: **36106000**

Flowchart



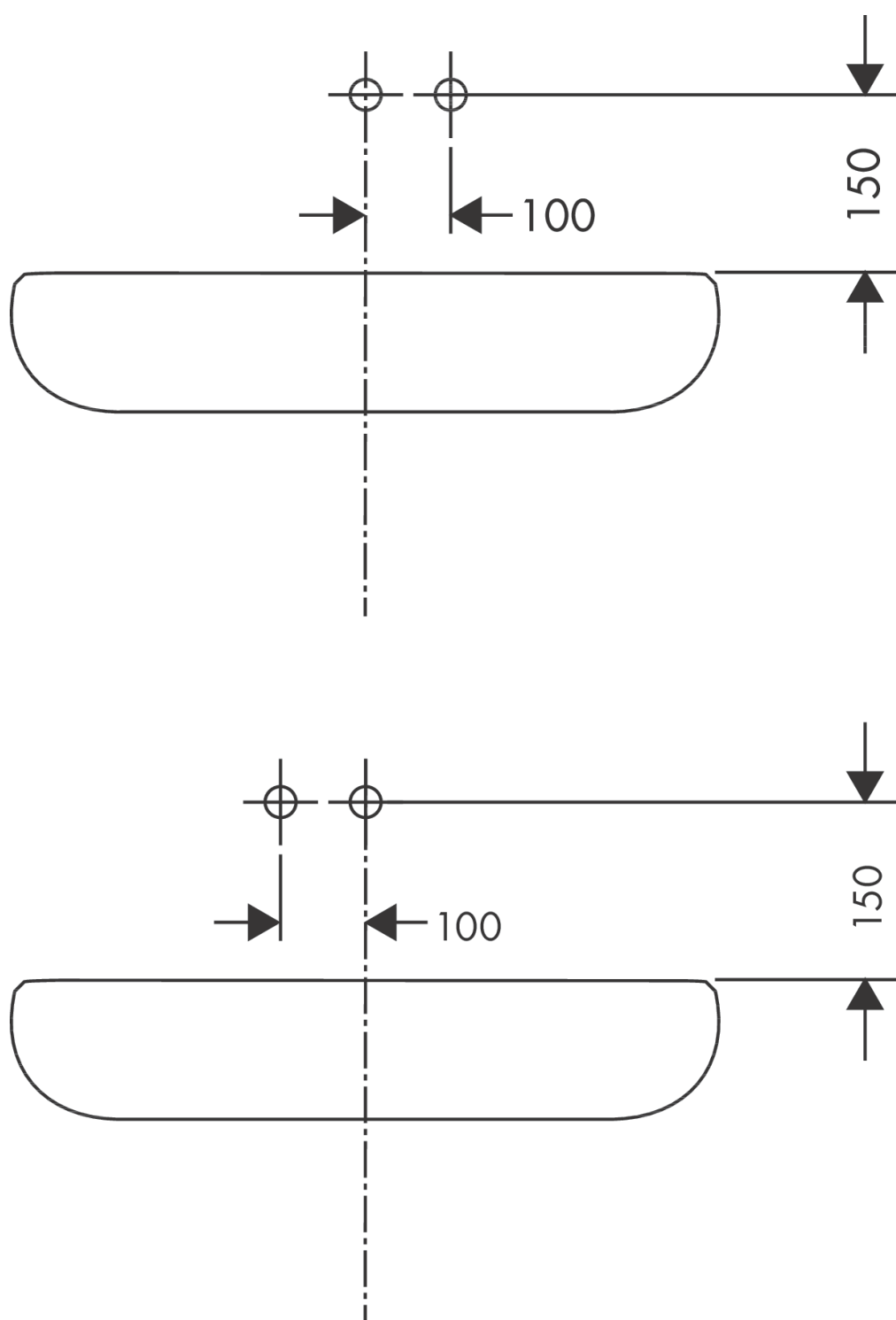
AXOR Citterio E

Single lever basin mixer for concealed installation wall-mounted with pin handle, spout 221 mm and escutcheons



Surfaces: **Chrome** Article Number: **36106000**

Installation examples



AXOR Citterio E

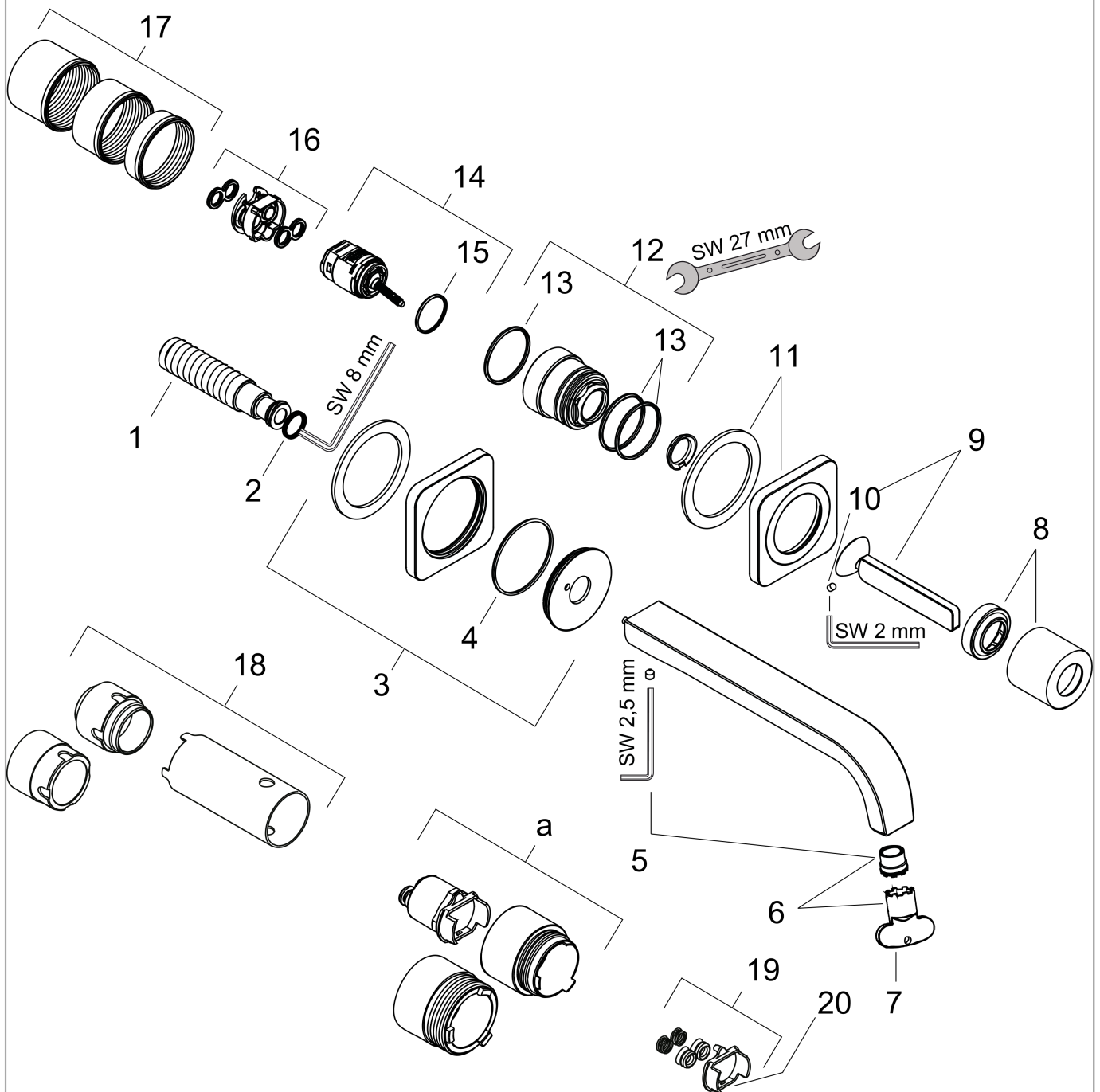
Single lever basin mixer for concealed installation wall-mounted with pin handle, spout 221 mm and escutcheons



Surfaces: **Chrome** Article Number: **36106000**

Exploded Drawing

Year of production: >12/14



AXOR Citterio E

Single lever basin mixer for concealed installation wall-mounted with pin handle, spout 221 mm and escutcheons



Surfaces: **Chrome** Article Number: **36106000**

Spare part list

Year of production: >12/14

Pos.	Description	Article Number	Price	PU
1	connecting thread G½	95626000	-	1
2	O-ring 13x2	98128000	-	1
3	escutcheon for spout	92337000	-	1
4	O-ring 47x2	98392000	-	1
5	spout 220 mm	92336000	-	1
6	aerator laminar M16,5x1 (5 l/min)	95382000	-	1
7	special tool	98987000	-	1
8	flange	95776000	-	1
9	handle	92335000	-	1
10	hollow set screw M4x6	97767000	-	1
11	escutcheon for handle	92334000	-	1
12	nut	95777000	-	1
13	O-ring 34x2	98383000	-	1
14	cartridge, assy	96783000	-	1
15	O-ring 21,95x1,78	95169000	-	1
16	adapter for cartridge	95644000	-	1
17	fixing set	97971000	-	1
18	extension set 25 mm for 13622180	31971000	-	1
19	conversion kit	95643000	-	1
20	adapter for cartridge	97280000	-	1
a	extension set for 38111180	38982000	-	1
b	waste	50001000	-	1
c	base body	13622180	-	1