

Heat Pump Condensing Dryer, 8kg

Series 5 | Heat Pump

White

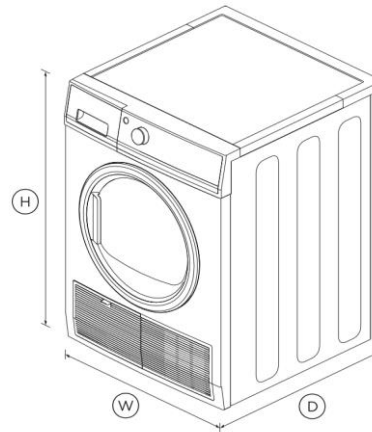


Better energy efficiency and fabric care with heat pump condensing technology, which dries your clothes at a lower temperature.

- 13 dry cycles including Freshen, Delicate, Bulky and Easy Iron for comprehensive fabric care
- Dry a couple of items fast with the convenient Quick 30 cycle
- 7-Star energy rating
- Auto-sensing detects moisture levels to prevent under or over drying
- No need for external venting, allowing your dryer to be placed anywhere in your home

DIMENSIONS

Height	850 mm
Width	600 mm
Depth	645 mm



FEATURES & BENEFITS

Cares for clothes

13 drying cycles including Freshen, Delicate, Bulky and Easy Iron for every type of garment. Select the cycle that best suits your load to confidently dry your clothes.

Quick drying

Suddenly realised you need that work shirt dry as fast as possible? Trust the convenient Quick 30 cycle to dry it in 30 mins while maintaining care of fabric.

Heat Pump technology

Heat pump technology dries at lower temperatures, delivering gentle fabric care. By recycling and returning heat to the drum, this energy efficient dryer also helps save on electricity bills.

Avoid over-drying with Auto-sensing

Auto-sensing technology measures moisture inside the drum, shutting off at the perfect time to avoid the damage done to clothes by over-drying. It helps them last longer and reduces energy wastage.

No venting required

Condensation is collected so there is no need for external venting, allowing your dryer to be placed almost anywhere in your home.

Too precious to tumble?

The drying rack is designed for items that can't be tumble dried. It fits easily into the dryer and delivers the perfect result for those precious delicates, shoes and toys.

Drum light

A handy interior light turns on when you open the dryer door. It provides improved visibility when unloading, so you can see that last sock that's always left inside.

Designed to match

The complete package for a beautiful laundry. This 8kg Heat Pump Condensing Dryer is designed to match with our Front Loader Washing Machines. With outstanding aesthetics and complimentary wash and dry cycles, they become the perfect pair to deliver complete fabric care.

SPECIFICATIONS

Consumption

Energy star rating	7
--------------------	----------

Dry Cycles

Bulky	•
Cool Air	•
Cottons	•
Delicate	•
Easy Iron	•

Everyday	•
Freshen	•
Heavy	•
Quick 30	•
Rack Dry	•
Sheets	•
Time Dry	10 to 150 min
Towels	•
Wool	•

Performance

Auto-sensing	•
Condensing	•
Dryness settings	5
Heat Pump technology	Sheets Cycle
Reverse tumbling	4
Temperature settings	•
Timed dry	•

SKU	93281
-----	-------

The product dimensions and specifications in this page apply to the specific product and model. Under our policy of continuous improvement, these dimensions and specifications may change at any time. You should therefore check with Fisher & Paykel's Customer Care Centre to ensure this page correctly describes the model currently available. Fisher & Paykel Appliances Ltd 2020.

Features

Delay start	5 min to 18 hr
Drum light	•
Drying rack	•
Easy access lint filter	•
Easy clean condenser filter	•
End of cycle signal	•
Key lock	•
Lint filter indicator	•
Progress indicator	•
Safety restart switch	•
SmartTouch™ control dial	•
Stainless steel drum	•
Time to go indicator	•
Wrinkle free option	•

Warranty

Parts and labour	2 years
------------------	----------------



A PEACE OF MIND SALE

24 Hours 7 Days a Week Customer Support

T 1300 650 590 W www.fisherpaykel.com