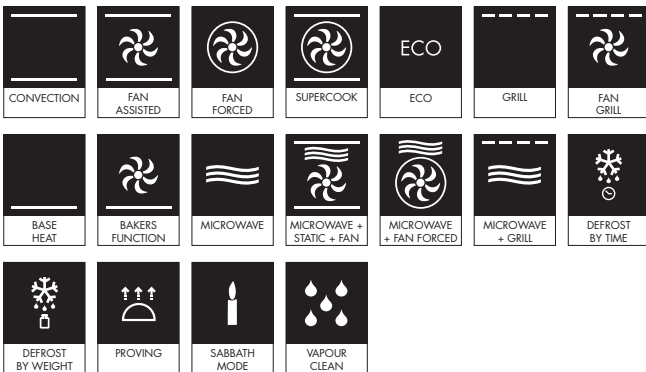


SFA4604MCNX

45CM DOLCE STIL NOVO COMPACT SPEED OVEN

MADE IN ITALY
Since 1948



SPEED

A new addition to technologies for the kitchen, Smeg's Speed Oven is primarily a multifunction oven supplemented with innovative microwave technology for faster cooking times. Smeg's Speed Oven cooks 30% faster than conventional cooking, giving back today's most valuable commodity – time.

THERMOSEAL

The seal of Smeg's quality, technical excellence and taste: succulent roasts, crisp pastry and impressive baking is achieved in Smeg's unique, perfectly controlled cooking environment. Thermosteal maintains the perfect atmospheric balance in the cavity for optimum cooking conditions.

SMARTSENSE PLUS

Smeg's SmartSense Plus provides a foolproof, step-by-step guide to cooking. The large TFT colour display is clearly legible and simple to follow. SmartSense Plus also has 50 guided cooking programs and you can also save 10 of your most-used favourites.

SOFT CLOSE DOOR

The new soft-close mechanism on Smeg's oven doors ensures a two-stage soft and quiet close. Smeg's quality hinges also ensure the door will not drop on opening, an intrinsic safety feature.

PYROLYTIC CLEANING

Smeg's pyrolytic cycle locks the door and heats the oven to around 500°C. This process carbonises food residue or burnt-on grease to a small amount of ash, which can be simply wiped away. Smeg also has Eco Pyro – to reduce energy consumption.

Dimensions	597mmW x 548mmD x 450mmH
Finish	Eclipse Black Glass with Stainless Steel Trim
Total functions	18 + 50 SmartSense Plus auto menus incl. Sabbath mode, defrost, proving and keep warm
Warranty	Five years parts and labour

Colours Available



Copper Trim



Stainless Steel Trim



SFA4604MCNX

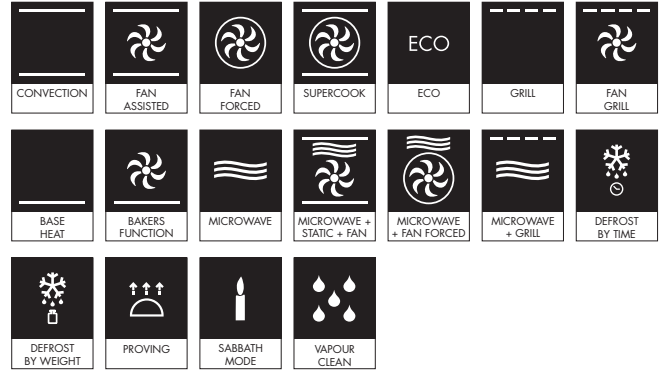
45CM DOLCE STIL NOVO COMPACT SPEED OVEN

MADE IN ITALY
Since 1948

OVEN FEATURES

Dimensions	597mmW x 548mmD x 450mmH
Finish	Eclipse Black Glass with Stainless Steel Trim
Total functions	18 + 50 SmartSense Plus auto menus incl. Sabbath mode, defrost, proving and keep warm
Auto menus	50 SmartSense Plus menus
Display	Colour Touch TFT
Cavity	Ever Clean enamel
Capacity	50L
Cooking levels	3
Thermostat	30-250°C
Microwave power	1000W
Installation	Built-in
Programmability	Fully programmable
Cleaning	Vapour Clean
Lighting	2 x 40W halogen
Safety	Cool Door technology, thermal protection system, child safety lock, controls lock
Power	220-240V, 50/60Hz 3100W 14A Connection
Warranty	Five years parts and labour

OVEN FUNCTIONS

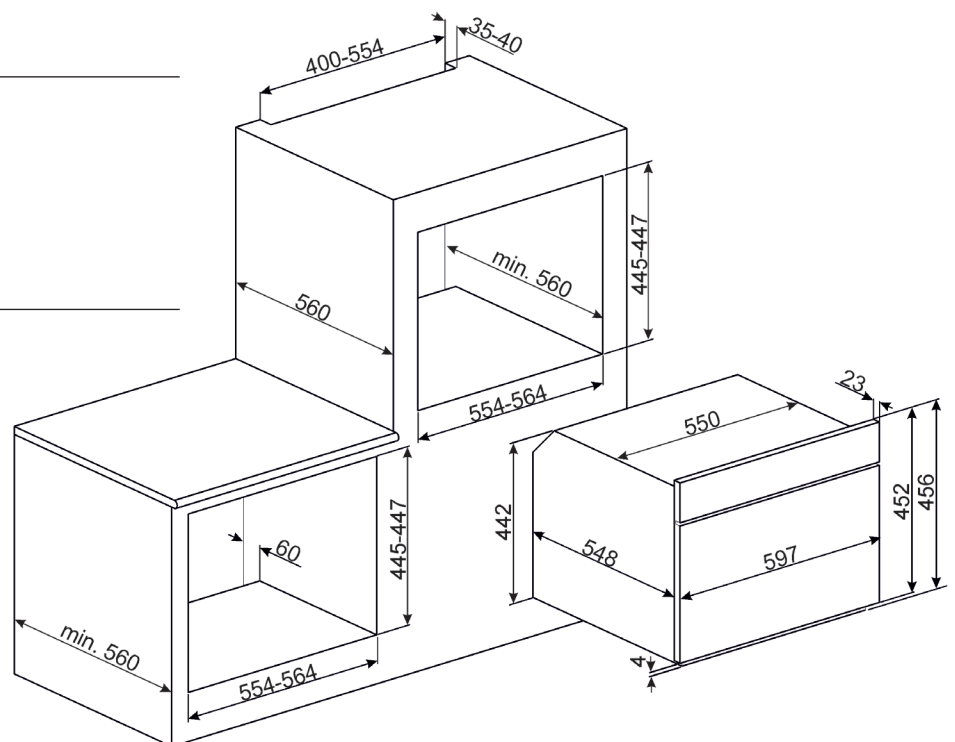


SUPPLIED ACCESSORIES

- 1 x Chrome grill insert
- 1 x Chrome shelves
- 1 x Glass tray
- 1 x Partial telescopic guides

OPTIONAL ACCESSORIES

- GT1P-2 - Partial telescopic guides
- GT1T-2 - Total telescopic guides



SFA4604MCNX
45CM DOLCE STIL NOVO COMPACT
SPEED OVEN

MADE IN ITALY
Since 1948



Dimensions	597mmW x 548mmD x 450mmH
Power	220-240V, 50/60Hz 3100W 14A Connection
Warranty	Five years parts and labour

