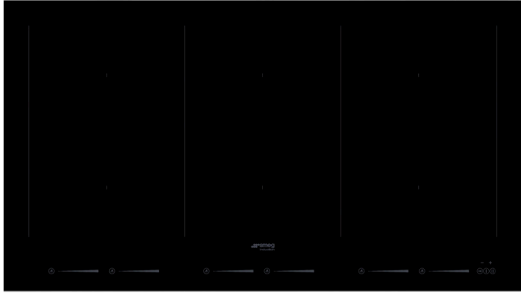


SIM693WLDX

90CM DOLCE STIL NOVO INDUCTION COOKTOP

MADE IN ITALY

Since 1948



THREE SURFACE SHARE ZONES

Smeg's Surface Share technology allows zones to be combined and operated with a single control. They are the largest available and square in shape, ensuring that every part of the zone to the edge is usable, without any cold spots.

BOOST

Provides an additional surge of power for even more intense heat ideal for rapid boiling or stir frying. The temperature will revert to power level 9 when complete.

PRESET TEMPERATURE SETTINGS

There are three pre-selected options to take the guesswork out of cooking – delicate sauces 42°, keep warm 72° or gentle simmer 94°C.

ACTIVE SURFACE CONTROL

Active Surface Control will activate and automatically illuminate the relevant power control, when a pan is placed over the applicable zone.

EASY CLEAN CERAMIC SURFACE

For maintenance of the highly durable ceramic surface, simply wipe with a damp cloth after use to clean any spills.

Dimensions	900mmW x 53mmH x 510mmD
Finish	Black ceramic glass surface with stainless steel trim
Power Levels	9 heat settings per zone + 1 boost setting per zone 3 auto-regulated temperatures 42°C, 70°C, 94°C
Warranty	Five years parts and labour

Colours Available



SIM693WLDX
Copper Trim



SIM693WLDX
Stainless Steel Trim



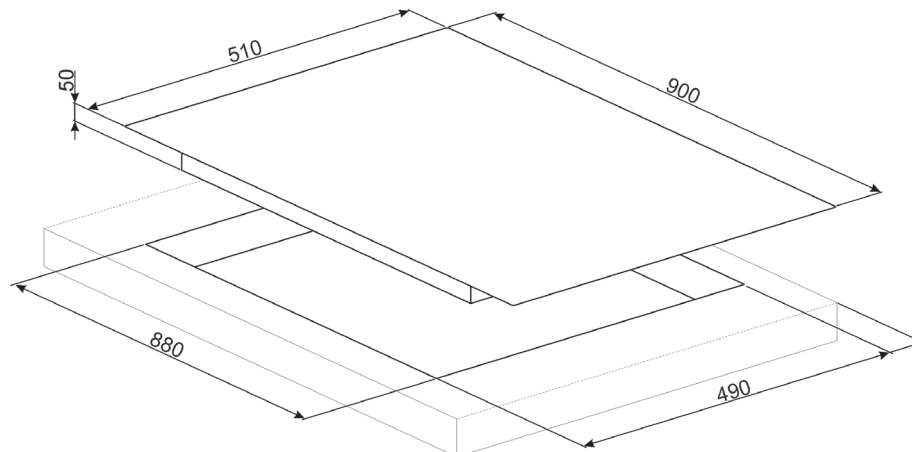
SIM693WLDX

90CM DOLCE STIL NOVO INDUCTION COOKTOP

MADE IN ITALY
Since 1948

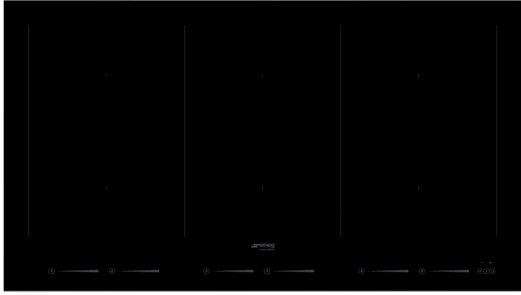
COOKTOP FEATURES

Finish	Black ceramic glass surface with stainless steel trim
Installation	Topmount
Size	900mmW x 53mmH x 510mmD
Cutout	880mmW x 490mmD
Capacity	6 zones Front left* 230x180mm 2100W boost 3600W Rear left* 230x180mm 2100W boost 3600W Front centre* 230x180mm 2100W boost 3600W Rear centre* 230x180mm 2100W boost 3600W Front right* 230x180mm 2100W boost 3600W Rear right* 230x180mm 2100W boost 3600W *These zones feature Surface Share
Power levels	9 heat settings per zone + 1 boost setting per zone 3 auto-regulated temperatures 42°C, 70°C, 94°C
Timers	3 timers, simultaneous or separate operation independent egg timer
Controls	slider control
Safety	auto pan detection automatic cut-off touch-control lock residual heat indicators automatic spillage stop child safety lock
Power	220–240V, 50/60Hz 10.8kW 47A
Pan size	automatic pan size recognition
Warranty	Five years parts and labour



SIM693WLDX
90CM DOLCE STIL NOVO INDUCTION COOKTOP

MADE IN ITALY
Since 1948



Dimensions	900mmW x 53mmH x 510mmD
Power	220-240V, 50/60Hz 10.8kW 47A
Warranty	Five years parts and labour

