

Front Loader Washing Machine, 9kg

Series 3 | Front Load

White

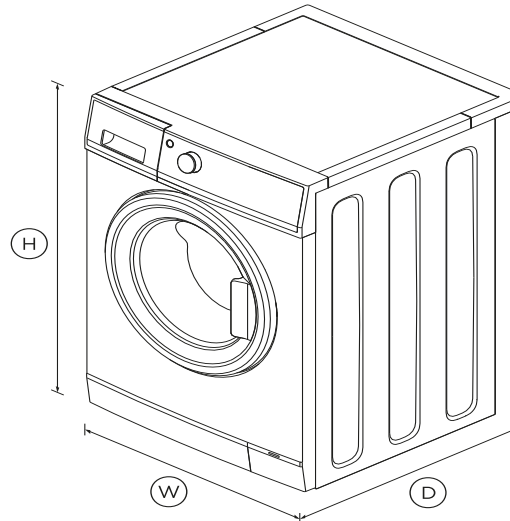


This front loader cares for all kinds of fabrics, with a cycle for everything from delicates to bulky items.

- Nine wash cycles including Quick, Delicate and Heavy
- 5-star water and 4-star energy rating
- Vortex Wash helps deliver a 30 minute Quick cycle without compromising fabric care

DIMENSIONS

Height	850 mm
Width	600 mm
Depth	645 mm



FEATURES & BENEFITS

Nine fabric care cycles

Featuring nine specially-developed wash cycles to care for your clothes, this machine has a cycle to suit every load type from Heavy to Delicate.

Easy to use

This washing machine features an intuitive control panel, where you can easily select your preferred cycle and wash boost options, which include Rinse+ and Pre Wash.

A smarter, quieter motor

SmartDrive™ Technology is a gentle, quiet, and efficient combination of smart electronics and a direct drive motor that senses the load to deliver better fabric care.

Quick cycles

When time is short, you can select a quick 30-minute wash without compromising cleaning and fabric care. Vortex Wash allows most cycles to take less than one hour to complete.

Saves water and energy

With a 4.5 star water rating and 4 star energy rating, our 9kg washing machine handles large loads while keeping water and power usage to a minimum.

Designed to match

The complete package for a beautiful laundry. This washing machine is designed to match both the 8kg Heat Pump Condensing Dryer and the 8kg Condensing Dryer. With outstanding aesthetics and complementary wash and dry cycles, they become the perfect pair to deliver complete fabric care.

SPECIFICATIONS

Capacity

Capacity	9kg
----------	-----

Consumption

Annual energy consumption	320kWh
Energy rating	4 stars
Water star rating	4.5 star
Water usage (per wash cycle)	73L

Features

Anti-fungal door gasket	•
Auto out of balance correction	•

Customise cycle	•	Delicate	•
Delay start	•	Drum Clean	•
Eco	•	Easy Iron	•
Extra rinse option	•	Everyday	•
Flood protection	•	Heavy	•
Keylock	•	Number of wash cycles	10
No spin / Spin Hold	•	Rinse	•
Pre Wash	•	Spin	•
SmartTouch™ control dial	•		
Stainless steel drum bowl	•		
Water temperature controls	5	SKU	92275

Performance

Detergent	High efficiency
Maximum spin speed	1200rpm
Number of spin speeds	3
SmartDrive™ technology	•
Vortex™ Wash	•

Product dimensions

Depth	645 mm
Height	850 mm
Width	600 mm

Warranty






Parts and labour	2 years
Parts only direct drive motor	8 years

Wash Cycles

Cottons	•
---------	---

The product dimensions and specifications in this page apply to the specific product and model. Under our policy of continuous improvement, these dimensions and specifications may change at any time. You should therefore check with Fisher & Paykel's Customer Care Centre to ensure this page correctly describes the model currently available. © Fisher & Paykel Appliances Ltd 2019.

Other product downloads available at fisherpaykel.com

-  [User Guide](#)
-  [Service & Warranty Booklet](#)
-  [Installation Guide](#)
-  [Installation Guide \(Quick Reference\)](#)
-  [Installation Guide \(Cavity Sizes\)](#)



A PEACE OF MIND SALE

24 Hours 7 Days a Week Customer Support

T 1300 650 590 W www.fisherpaykel.com