

## SFA4303MCX 60CM CLASSIC COMPACT SPEED OVEN



EAN 8017709289287

Dimensions	597mmW x 450mmH x 548mmD
Finish	Fingerprint proof stainless steel Eclipse high visibility black glass
Total functions	20 + 56 SmartSense Plus auto menus incl. Sabbath mode, defrost, proving and keep warm
Display	VIVOScreen
Capacity	50L
Cooking levels	3
Microwave power	1000W
Thermostat	30 - 250°C
Installation	Flush, underbench or wallmount
Programmability	Fully programmable
Cleaning	Smeg Ever Clean enamel, Vapour Clean
Lighting	2 x 40 Watt halogen
Supplied accessories	1 x Chrome grill insert 1 x Chrome shelves 1 x Glass tray 1 x Partial telescopic guides
Optional accessories	GT1P-1 - Partial telescopic guides GT1T-1 - Total telescopic guides PALPZ - Pizza shovel PPR2 - Pizza stone
Safety	Soft Close door, thermal protection system, child safety lock, controls lock
Power	220-240V, 50/60Hz 3100W 14A current
Warranty	Two years parts and labour

### SPEED OVEN

A new addition to technologies for the kitchen, Smeg's Speed Oven is primarily a multifunction oven which is supplemented with the innovative microwave technology for faster cooking times. Smeg's Speed Oven cooks approximately 30% faster than conventional cooking, giving back today's most valuable commodity – time.

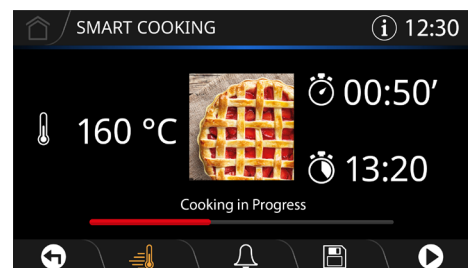
### EVER CLEAN ENAMEL

The superior quality of Smeg's patented Ever Clean enamel, which is highly durable and easy to clean, is the result of nearly 70 years of enameling expertise; ensuring long-life performance of every Smeg oven.



### SMART COOKING

Smeg's intuitive Smart Cooking program allows users to effortlessly select oven functions, temperature and cooking time. Smart cooking offers 100 automatic recipes for simple operation. Select the dish you want to cook from the menu, enter the weight and the oven does the rest - resulting in perfectly cooked meals every time. The My recipes feature also allows you to store up to 64 of your favourite dishes into the memory of the oven. The cooking function, temperature, time and your own name for the dish will be saved, making the oven quick and simple to use for everyone.



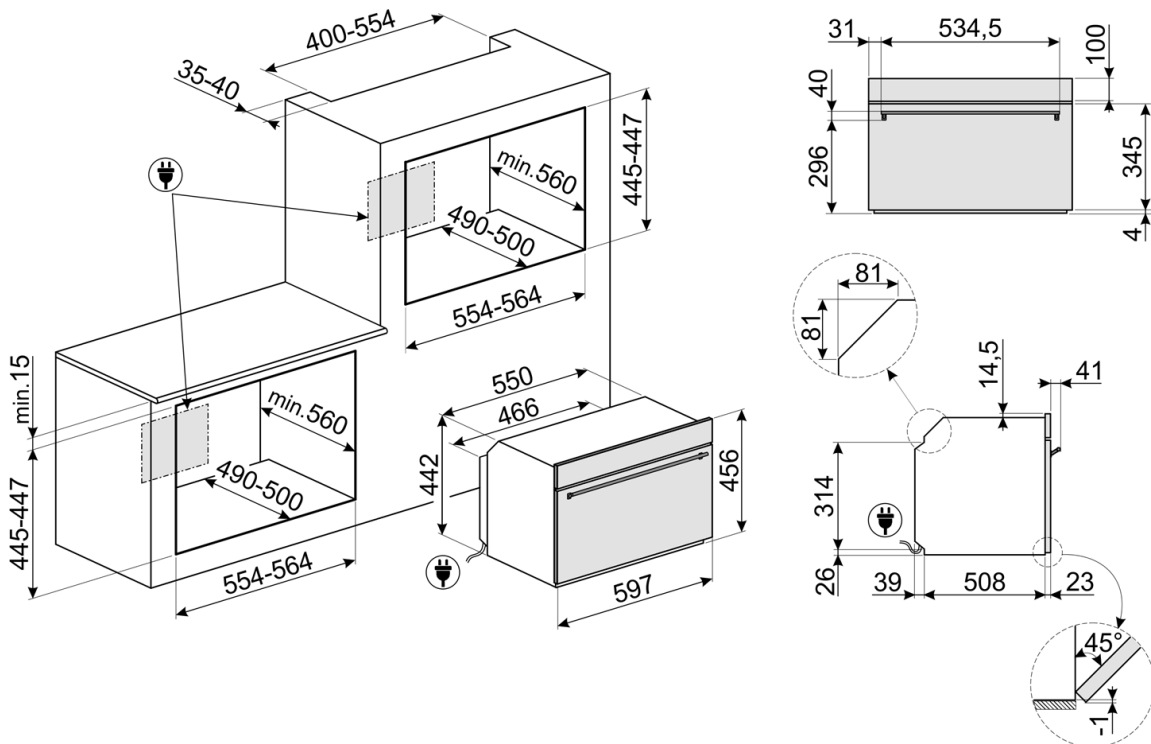
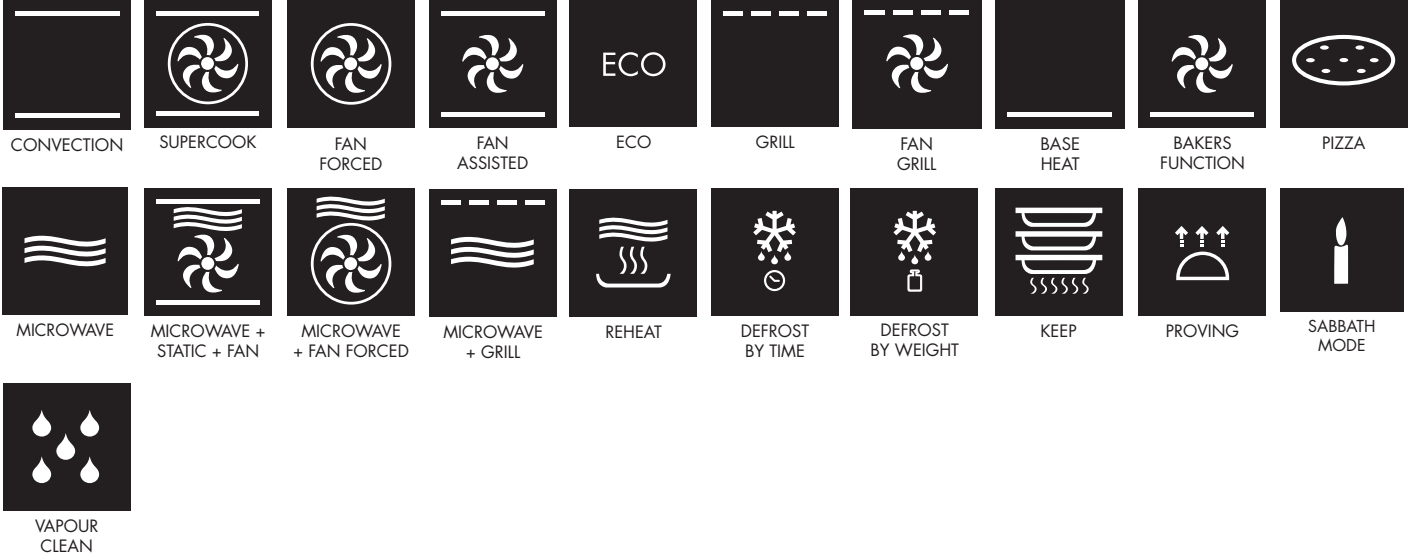
### VIVOSCREEN

Smeg presents a brand new full colour, touch control VIVOScreen is a comprehensive display allowing easy navigation and program selection. Intuitive, easy to read and simple to use, high definition images illustrate the extensive range of automatic programs available for smart cooking. Helpful pop up explanations appear once an item on the display is held down for 3 seconds.

COMPACT OVENS

**SFA4303MCX**  
60CM CLASSIC COMPACT SPEED OVEN

FUNCTIONS:



PLEASE NOTE: Drawings are not to scale. They are to assist only.

CABINETRY: Cut-outs are indicated for proud mounting. For flush mounting please refer to a specialist installer.

VENTILATION: Ovens and compact ovens require a 35-40mm ventilation gap at the rear of the cabinet.

WARNING: technical specifications and product sizes can be varied by the manufacturer, without notice. Cutouts for appliances should only be by physical product measurements. The above information is indicative only.