

# Integrated French Door Refrigerator, 80cm

Series 7 | Integrated

Panel Ready | French hinge

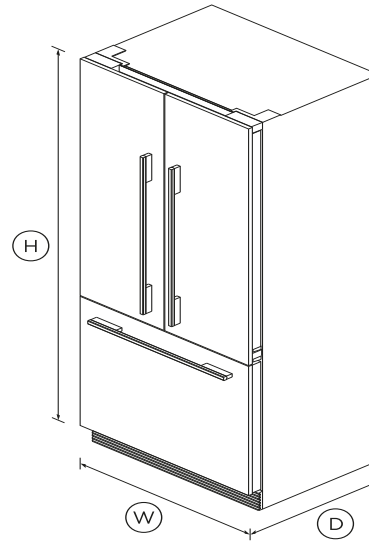


This large capacity refrigerator with bottom freezer seamlessly integrates into your kitchen, fitting flush into your cabinetry.

- ActiveSmart™ technology helps keep food fresher for longer by constantly maintaining the ideal temperature.
- Customise with your own kitchen cabinetry or purchase our stainless steel door panel accessory
- Features SmartTouch control panel for ease of use
- Spacious bottom freezer with full extension drawer

## DIMENSIONS

Height	1798mm
Width	796mm
Depth	606mm



## FEATURES & BENEFITS

### ACTIVESMART™ FOODCARE

ActiveSmart™ Foodcare learns how you live. It's technology which understands how you use your refrigerator and adjusts temperature, airflow and humidity inside to help keep food fresher for longer.

### FLEXIBLE STORAGE

Designed to make it simple for you to store, access and remove food. Storage bins give you full access inside when they're pulled open and can be easily removed to clean. Our flexible shelving also gives you more storage options.

### EASY CLEANING

Secure, spill-safe glass shelves easily capture any drips or leaks, and can be easily removed for fast and easy cleaning.

### FAST FREEZING

When freezing fresh food, the freshness, texture and taste are retained with rapid freezing. The Fast Freeze function boosts the freezing speed by dropping the freezer to its coldest temperature for 12 hours, ensuring food is fast and fully frozen.

### BEAUTIFUL LIGHTING

LED lighting illuminates the interior with a crisp, clean glow for enhanced visibility. Our energy saving LEDs use less power than comparable halogen lights.

### CLEVER ENERGY

This refrigerator adapts to daily use by cooling and defrosting only when needed, providing greater energy efficiency without compromising on food care.

## SPECIFICATIONS

### Accessories (sold separately)

Door panel stainless steel	RD80A
Handle kit Contemporary	AHSRS80A
Handle kit Contemporary	AHD5RD80A
Handle kit Contemporary	AHD5RD80AB
Handle kit Contemporary	AHD3RS80A

### Capacity

Volume	417L
Volume freezer	129L
Volume refrigerator	288L

### Features

Adjustable door shelves	6
-------------------------	---

Adjustable glass cantilevered	•
Adjustable glass shelves	3
Covered door shelves	2
Door alarm	•
Fruit and vegetable bins	2
LED lighting	•
SmartTouch control panel	•
Soft close doors	•
Stackable bottle holders	4

**Freezer Features**

Bottle chill	•
Door alarm	•
Fast freeze	•
Ice Boost	•
LED lighting	•
Slide Out Pastry Tray	•

**Performance**

ActiveSmart™ Foodcare	•
Adaptive defrost	•
Frost free freezer	•
Humidity control system	•
Inverter controlled compressor	•
Noise emissions	42dBA
Noise emissions class	D
Sabbath mode	•

**Power requirements**

Rated current	10A
Supply frequency	50Hz

**Product dimensions**

Depth	606mm
Height	1798mm
Width	796mm

**Warranty**

Parts and labour	2 years
Sealed system parts only	5 years

SKU	26516
-----	-------

The product dimensions and specifications in this page apply to the specific product and model. Under our policy of continuous improvement, these dimensions and specifications may change at any time. You should therefore check with Fisher & Paykel's Customer Care Centre to ensure this page correctly describes the model currently available. ? Fisher & Paykel Appliances Ltd 2020



**A PEACE OF MIND SALE**

24 Hours 7 Days a Week Customer Support

T 1300 650 590 [www.fisherpaykel.com](http://www.fisherpaykel.com)