

# FISHER & PAYKEL

## PRELIMINARY SPECIFICATION GUIDE

## BUILT-UNDER DISHWASHER, 60CM



### OVERVIEW

This Dishwasher is designed to fit flush under the kitchen benchtop, with a custom kickstrip for a seamless look. Available in sleek black or stainless steel finish with a pocket handle to complement our Contemporary style appliances. Flexible storage allows for easy stacking, while the combination of clever technology and simple mechanics means greater reliability and superior wash performance.

### MODELS

**Built Under Dishwasher, 15 Place Settings, Sanitise, Stainless Steel**  
DW60UC6X

**Built Under Dishwasher, 15 Place Settings, Sanitise, Black**  
DW60UC6B

**Built Under Dishwasher, 15 Place Settings, Stainless Steel**  
DW60UC2X

### SERIES & STYLE

Series 7 & 5  
Contemporary Style

### FEATURES

- ① Designed to be built under the kitchen benchtop, fitting flush with cabinetry for a seamless look
- ② Complements our Contemporary style appliances
- ③ Great wash performance with wash programs to suit any load\*
- ④ Quick, Sanitise and Extra Dry modifiers provide extra wash options\*\*
- ⑤ Energy and water efficient, delivering a powerful wash with optimal results\*\*\*
- ⑥ Flexible, adjustable storage for stacking large items with ease
- ⑦ ThermoDry technology removes moisture from the final rinse for efficient drying
- ⑧ Three stage filtration system
- ⑨ Runs at very low decibal rating for a quiet performance\*\*\*\*
- ⑩ Energy saving Delay Start option up to 12 hours

\* 7 wash programs for DW60UC6X & DW60UC6B, 6 wash programs for DW60UC2X

\*\* DW60UC6 models only

\*\*\* DW60UC6X & DW60UC6B: 4 star energy, 5.5 star water  
DW60UC2X: 3.5 star energy, 5 star water

\*\*\*\* DW60UC6X & DW60UC6B: 44 dBA  
DW60UC2X: 47 dBA

# FISHER & PAYKEL

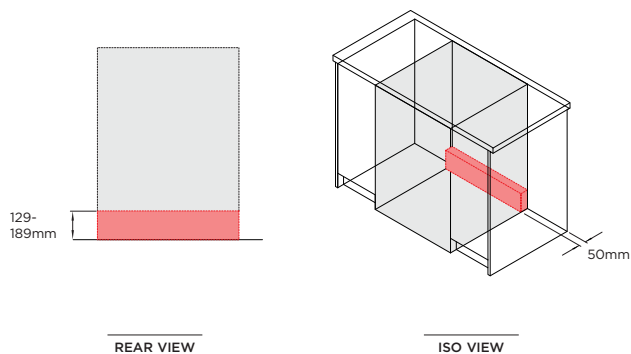
## PRELIMINARY SPECIFICATION GUIDE

## BUILT-UNDER DISHWASHER, 60CM

### PRODUCT SPECIFICATIONS

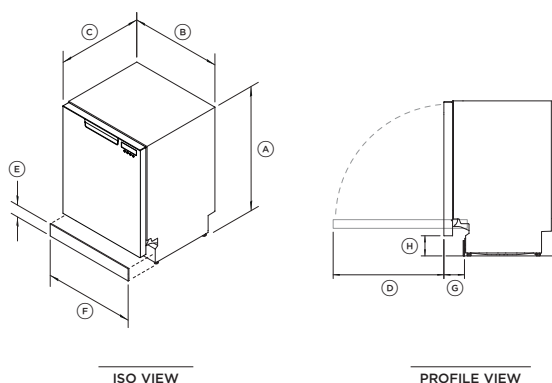
<b>Model No.</b>	DW60UC6X, DW60UC6B, DW60UC2X
<b>Dimensions</b>	H 820 - 880mm W 598mm D 570mm
<b>Weight</b>	48kg
<b>Electrical</b>	
<b>Supply</b>	230 VAC, 60 Hz
<b>Service</b>	10 amp circuit
<b>Receptacle</b>	3-prong grounding-type
<b>Plumbing</b>	
<b>Supply</b>	6mm comp. stainless steel braided hose
<b>Pressure</b>	Min 150 kPa (22 psi) Max 827 kPa (120 psi) @ 20°C

### PLUMBING AND ELECTRICAL

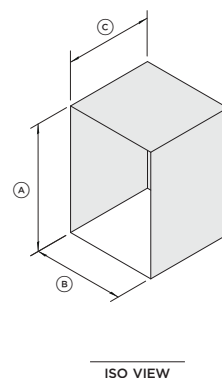


Service outlet at rear extends both sides, hoses and cords can be routed to either or both sides.

### PRODUCT DIMENSIONS



### CAVITY DIMENSIONS: STANDARD INSTALLATION



	mm
(A) Overall height*	820 - 880
(B) Overall width	598
(C) Overall depth	570
(D) Depth of open door	586
(E) Height of custom toekick panel**	80 - 165
(F) Width of custom toekick panel**	596 - 605
(G) Depth of custom toekick**	0 - 44
(H) Height from floor to door panel base*	80 - 165

	mm
(A) Overall height*	820 - 880
(B) Overall width	600 - 610
(C) Overall depth	min. 574

\*Depending on adjustment of levelling feet

\*Depending on adjustment of levelling feet

\*\*A cosmetic toekick panel is supplied with the product, however we recommend using a custom toekick panel for installation.