

FAB5 50'S STYLE RETRO REFRIGERATOR



Finish Black, Red, Cream
 Dimensions 404mmW x 730mmH x 520mmD (560mm including handle)

Gross Capacity Refrigerator: 42L

REFRIGERATOR (Main Compartment)

No. Shelves 2 x adjustable wire shelves

No. Drawers 0

Lighting LED

REFRIGERATOR (Inner door)

No. Shelves 1 x adjustable shelf with wire support
 1 x bottle shelf with wire support

Performance

Power 220-240V, 50Hz
 10A (3-pin plug)

Warranty 2 years parts and labour



FAB5
50'S STYLE RETRO REFRIGERATOR



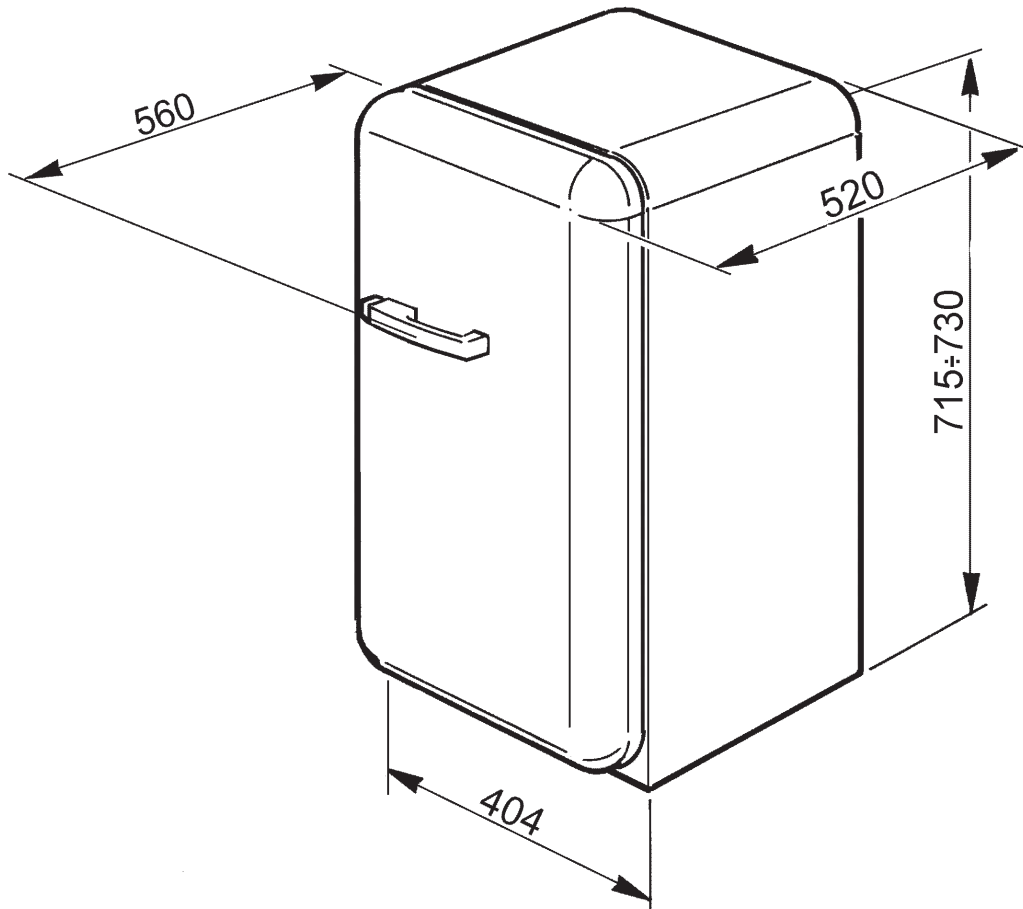
FAB5RRA
EAN 8017709181857



FAB5RBLA
EAN 8017709235758



FAB5RPA
EAN 8017709212025



PLEASE NOTE: drawings are not to scale. They are to assist only.
WARNING: technical specifications and product sizes can be varied by the manufacturer without notice.
Cutouts for appliances should only be by physical product measurements. The above information is indicative only.